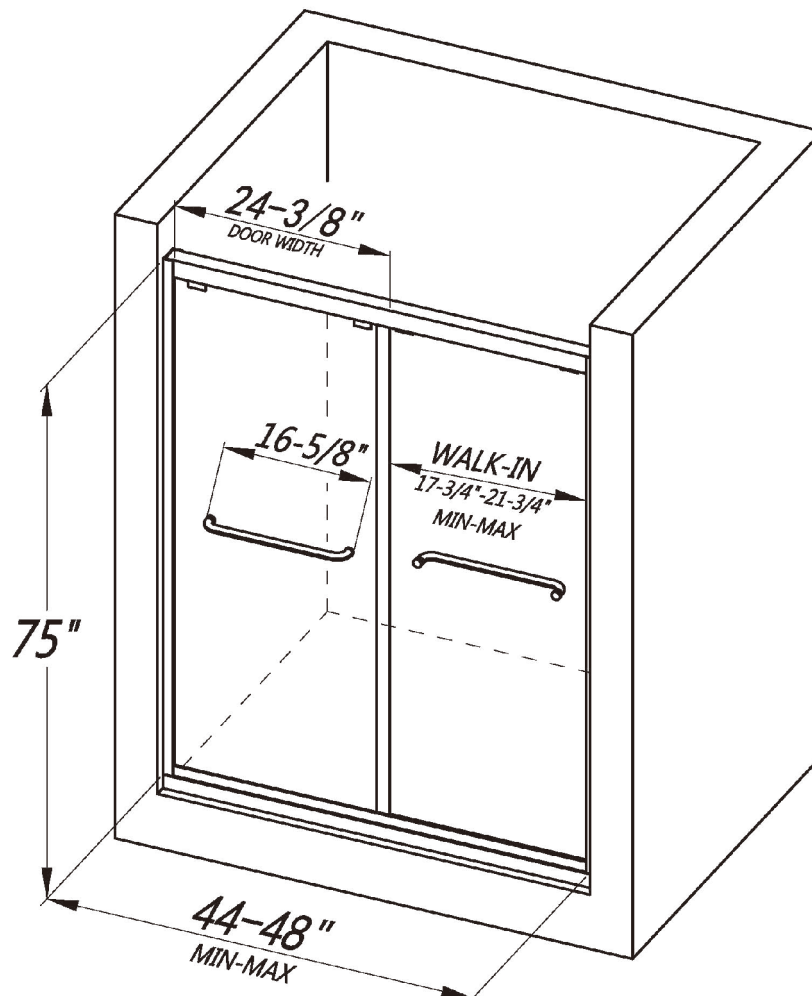


BYPASS SLIDING SHOWER DOOR

LY3301-48x75

FEATURES

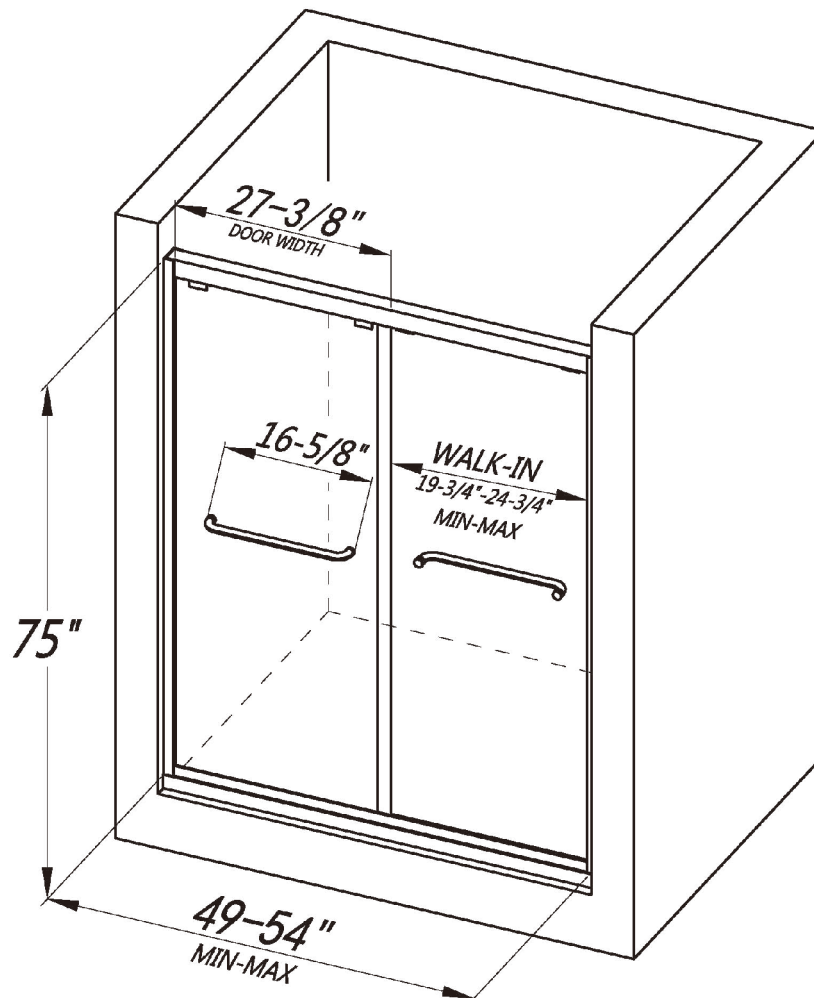
- Internal iron pipe creates an extra sturdy structure and holds great weight
- Shatter-proof and water-resistant film bonded onto the glass
- Bypass sliding door for both left and right side access
- 5/16" (8mm) thick certified clear tempered glass
- Premium 304 stainless steel hardware to provide smooth and silent sliding
- Up to 5" in width adjustment to fit your opening
- Designed and manufactured to be easily installed



BYPASS SLIDING SHOWER DOOR
LY3301-54x75

FEATURES

- Internal iron pipe creates an extra sturdy structure and holds great weight
- Shatter-proof and water-resistant film bonded onto the glass
- Bypass sliding door for both left and right side access
- 5/16" (8mm) thick certified clear tempered glass
- Premium 304 stainless steel hardware to provide smooth and silent sliding
- Up to 5" in width adjustment to fit your opening
- Designed and manufactured to be easily installed

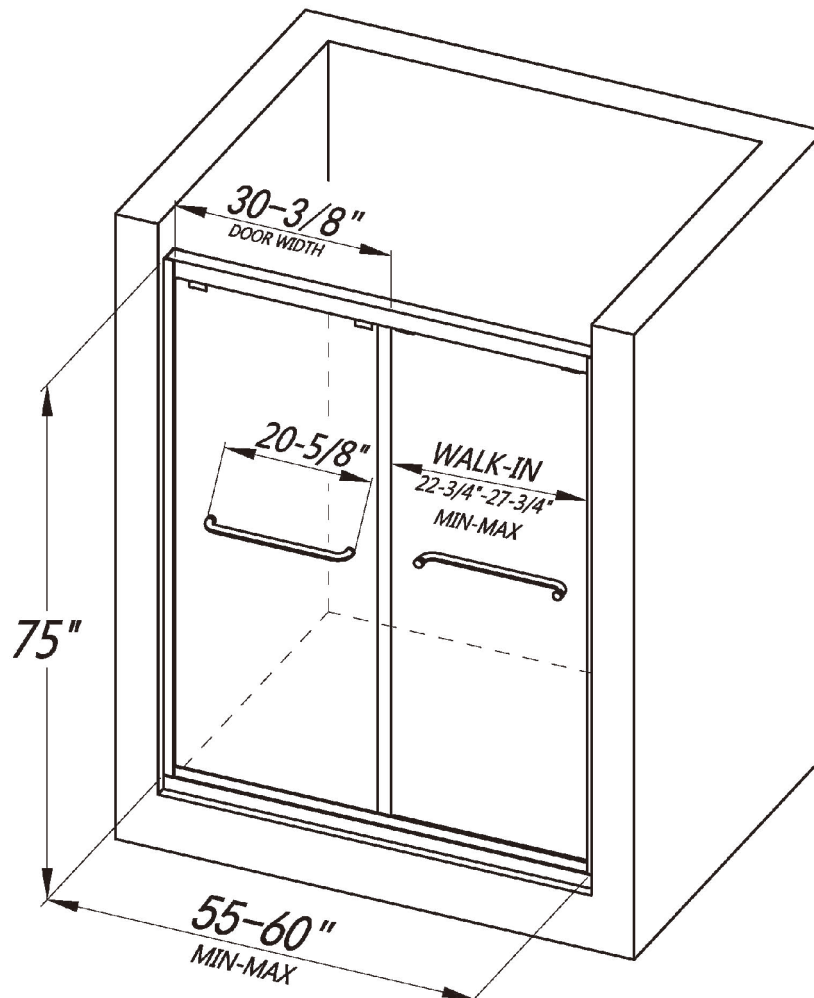


BYPASS SLIDING SHOWER DOOR

LY3301-60x75

FEATURES

- Internal iron pipe creates an extra sturdy structure and holds great weight
- Shatter-proof and water-resistant film bonded onto the glass
- Bypass sliding door for both left and right side access
- 5/16" (8mm) thick certified clear tempered glass
- Premium 304 stainless steel hardware to provide smooth and silent sliding
- Up to 5" in width adjustment to fit your opening
- Designed and manufactured to be easily installed



BYPASS SLIDING SHOWER DOOR
LY3301-66x75

FEATURES

- Internal iron pipe creates an extra sturdy structure and holds great weight
- Shatter-proof and water-resistant film bonded onto the glass
- Bypass sliding door for both left and right side access
- 5/16" (8mm) thick certified clear tempered glass
- Premium 304 stainless steel hardware to provide smooth and silent sliding
- Up to 5" in width adjustment to fit your opening
- Designed and manufactured to be easily installed

