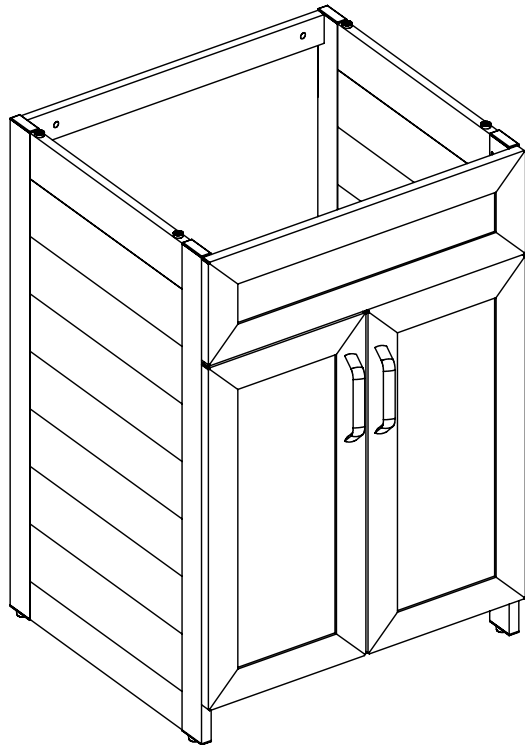
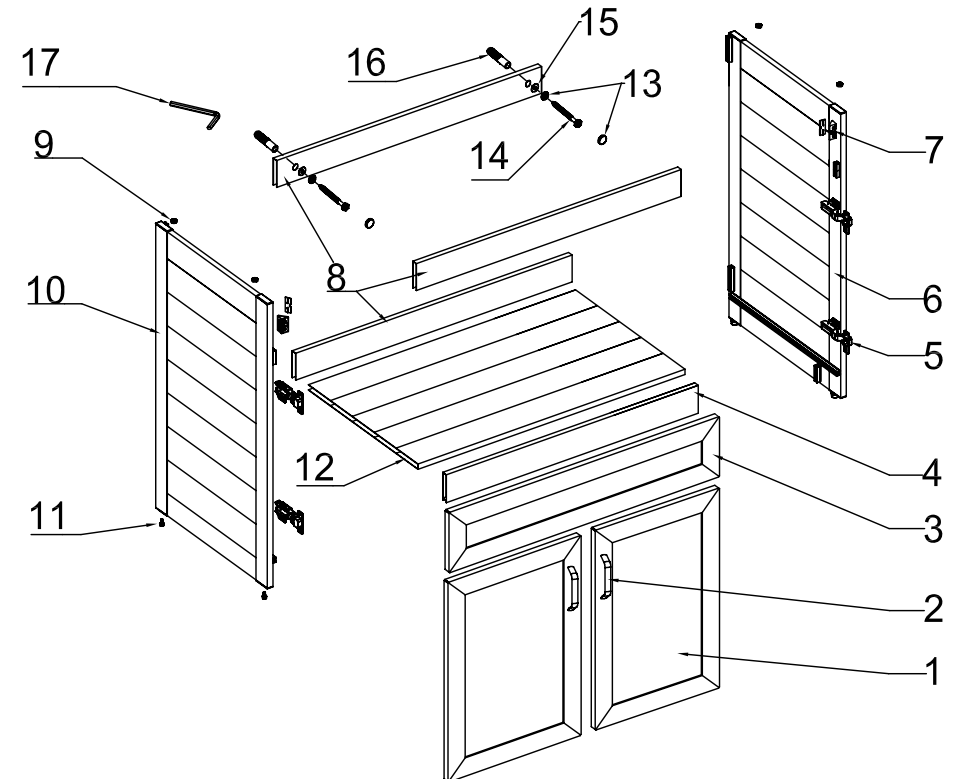


Installation Instruction



Parts List

No.	Description	Qty	Remarks
1	Door panel	2	
2	Handle	2	
3	Front Cover	1	
4	4" Cover	1	
5	Hinge	4	M4×12 flat head screw
6	Right side cover	1	
7	Fixed bracket	2	M4×12 flat head screw
8	3" Cover	3	
9	Sponge gasket	4	
10	Left side cover	1	
11	Adjustable legs	4	
12	Bottom Cover	1	
13	Brass nut & chrome lid	2	
14	M6*70 Hex Socket Cap Screws	2	
15	Spacers	2	
16	Colloidal particles	2	
17	Hex key	1	



**Product
code**

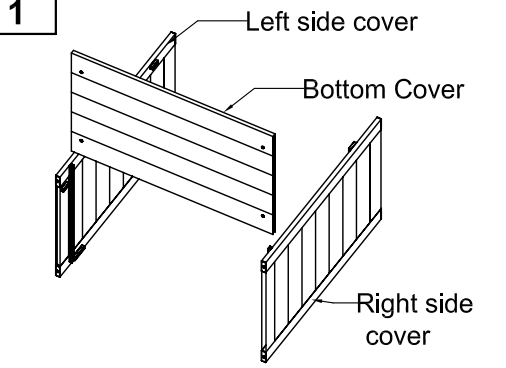
AL8002-V2418
AL8002-V3018
AL8002-V3618

Version

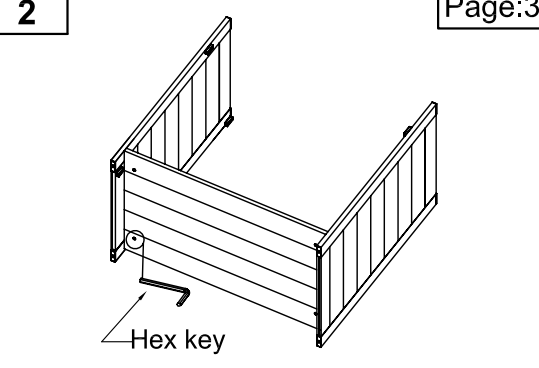
A0

**Total
Pages**

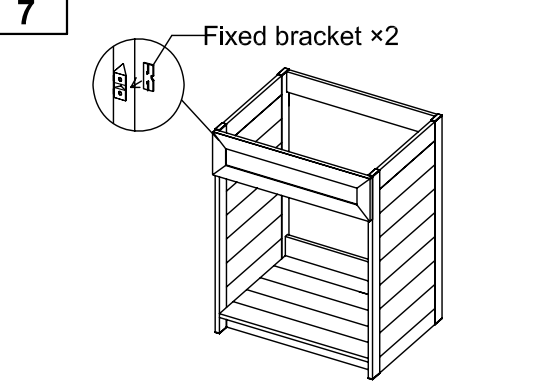
4



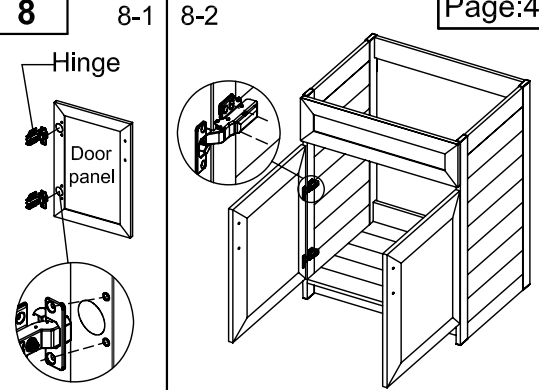
Insert the bottom cover to the left and right side covers. Note that to adjust the latch slightly loose before installation.



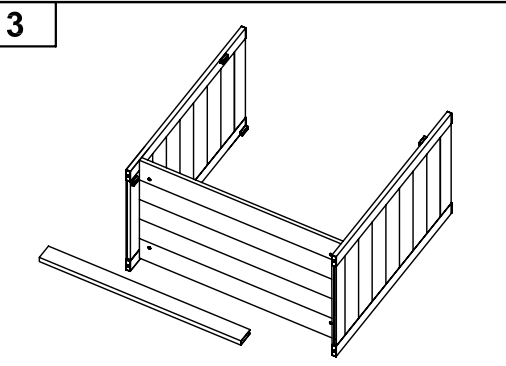
Make sure the latch to the strip, and fix the bottom cover with hex key.



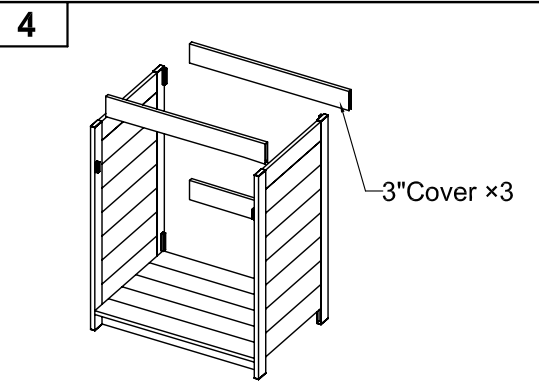
Install the front cover to the main cabinet. Note that 4 sides of the front cover must align the side covers and install the bracket cap.



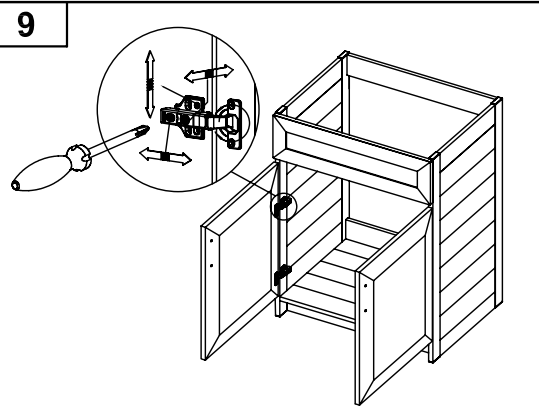
Install the hinges to both door panels, then insert the door panels to the cabinet.



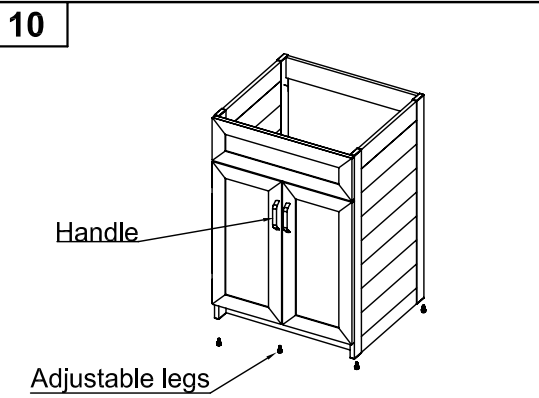
Clip the 4" cover to the strip. Note that to adjust the latch slightly loose before installation.



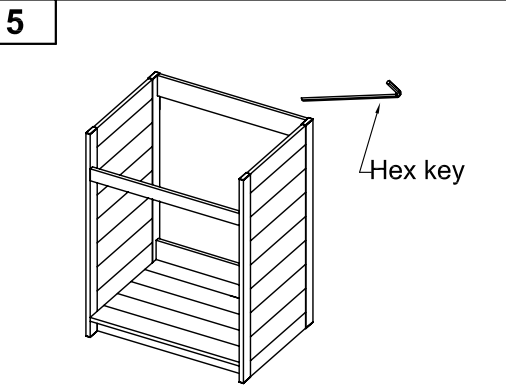
Clip the 3" cover. Note that to adjust the latch slightly loose before clipping it in.



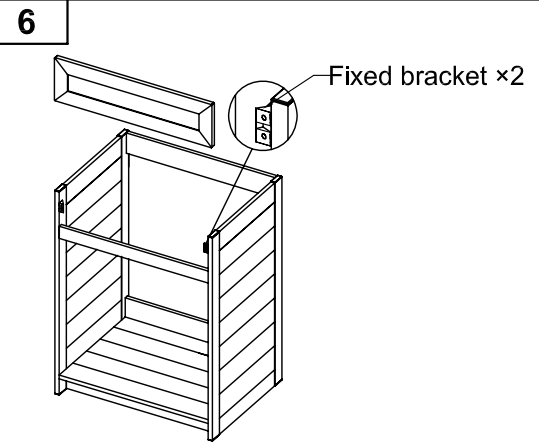
Use hinges to adjust the door panels to the best position.



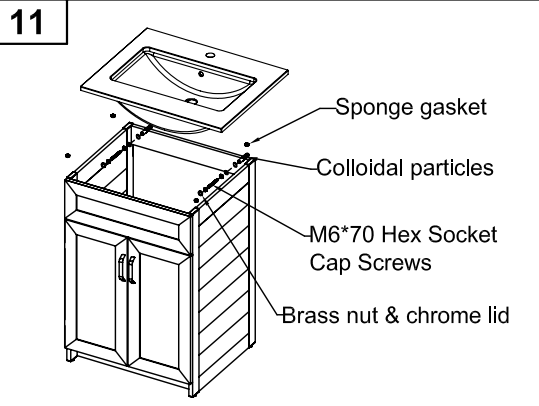
Mount the handle to the door panels and install the adjustable legs on the main cabinet, then adjust and make sure the cabinet is parallel.



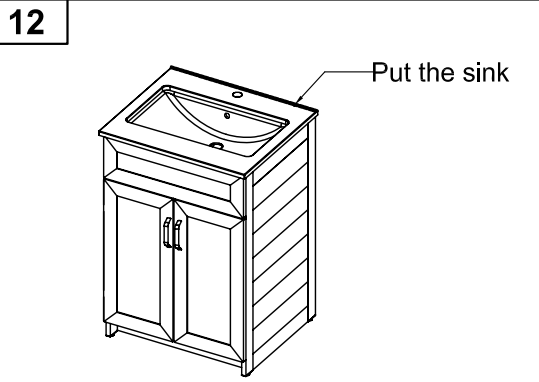
Make sure that all the latches are stick into the inner strip, and fixed with hex key.



Install the fixed brackets to the left and right side covers separately.



Secure the cabinet to the wall using the fixing pack, then paste the sponge spacer on the panels of both left and right sides



Put the sink into cabinet and fix it with the wall