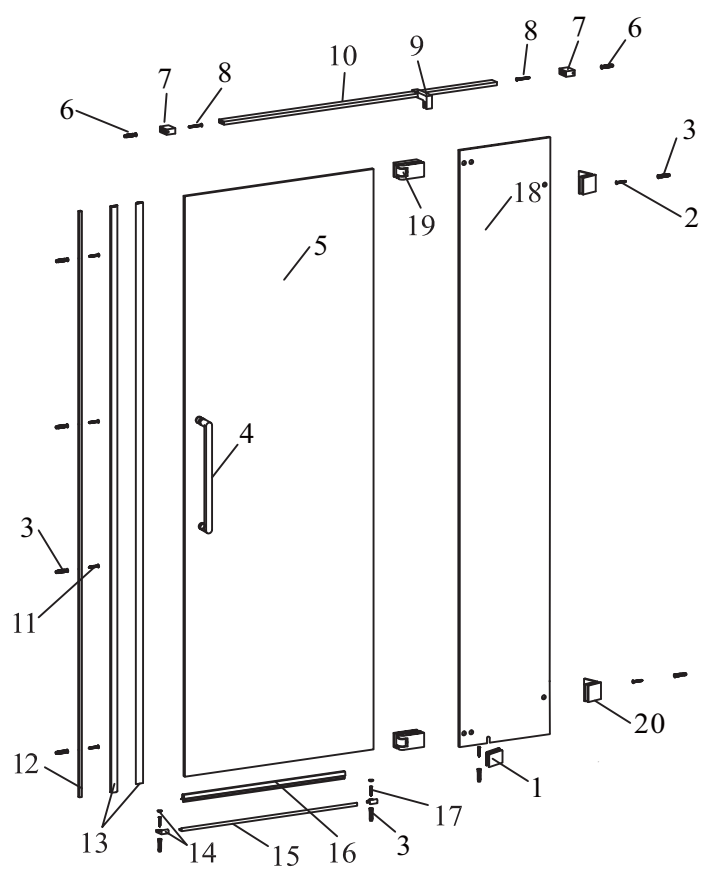


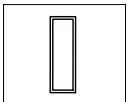
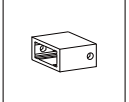
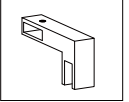
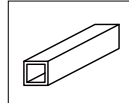

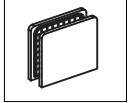
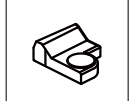





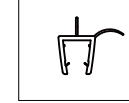
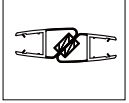
# Installation for Instruction

ITEM NO:LY9701-11

## Tools you need

				
cross-screwdriver	hammer	electric drill	tape measure	caulking gun
				
Utility knife	horizontal ruler	pencil	Hacksaw	

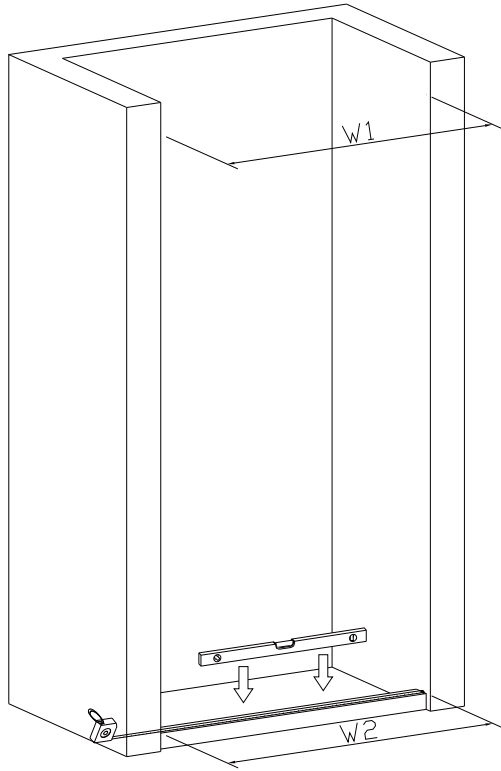


- |   |  |   |
|---|--|---|
| <br>10×30mm square tube (1 pcs)     | <br>Rail seat (2 pcs)                 | <br>Clamp (1 pcs)          |
| <br>8×8mm square tube (1 pcs)       | <br>Door hinge (2 pcs)                | <br>earth clamp (1 pcs)    |
| <br>Anit water part (2 pcs)       | <br>Aluminum waterproof bar (1 pcs) | <br>fixing clamp (2 pcs) |
| <br>Handle (1 pcs)                | <br>Plastic expansion glue (11 pcs) | <br>screw (11 pcs)       |
| <br>Rubber waterproof bar (1 pcs) | <br>Magnetic stripe (1 pcs)         |   |

## Spare parts List

8	ST5×35 Tapping screw	16	Rubber waterproof bar	24	
7	Rail seat	15	Aluminum waterproof bar	23	
6	∅8 Rubber	14	Anit water part	22	
5	Moving glass	13	Magnetic stripe	21	
4	Handle	12	8×8mm square tube	20	fixing clamp
3	∅6 Rubber	11	ST4×30 Tapping screw	19	Door hinge
2	St5×30 Tapping screw	10	10×30mm square tube	18	Fixing glass
1	fixing clamp	9	Clamp	17	ST4×30 Tapping screw
No.	Description	No.	Description	No.	Description

1



UP

DOWN

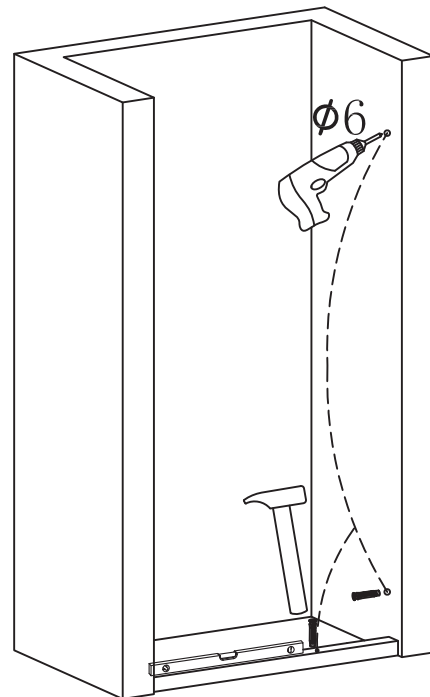
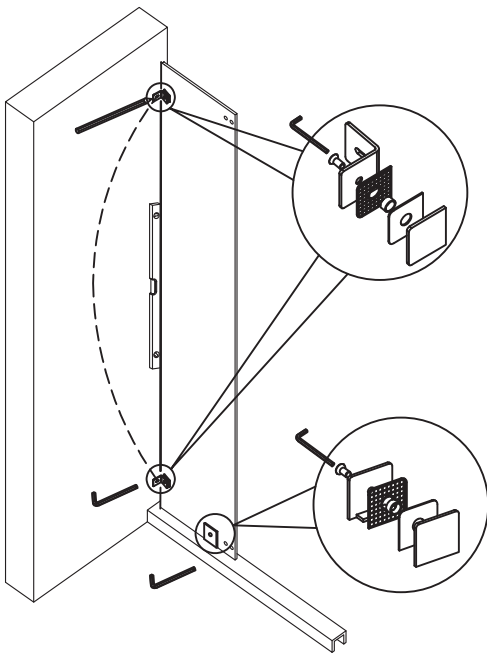


Finished opening top(W1)

Finished opening bottom(W2)

Measure by spirit level, adjust to make sure the installed position is horizontal.

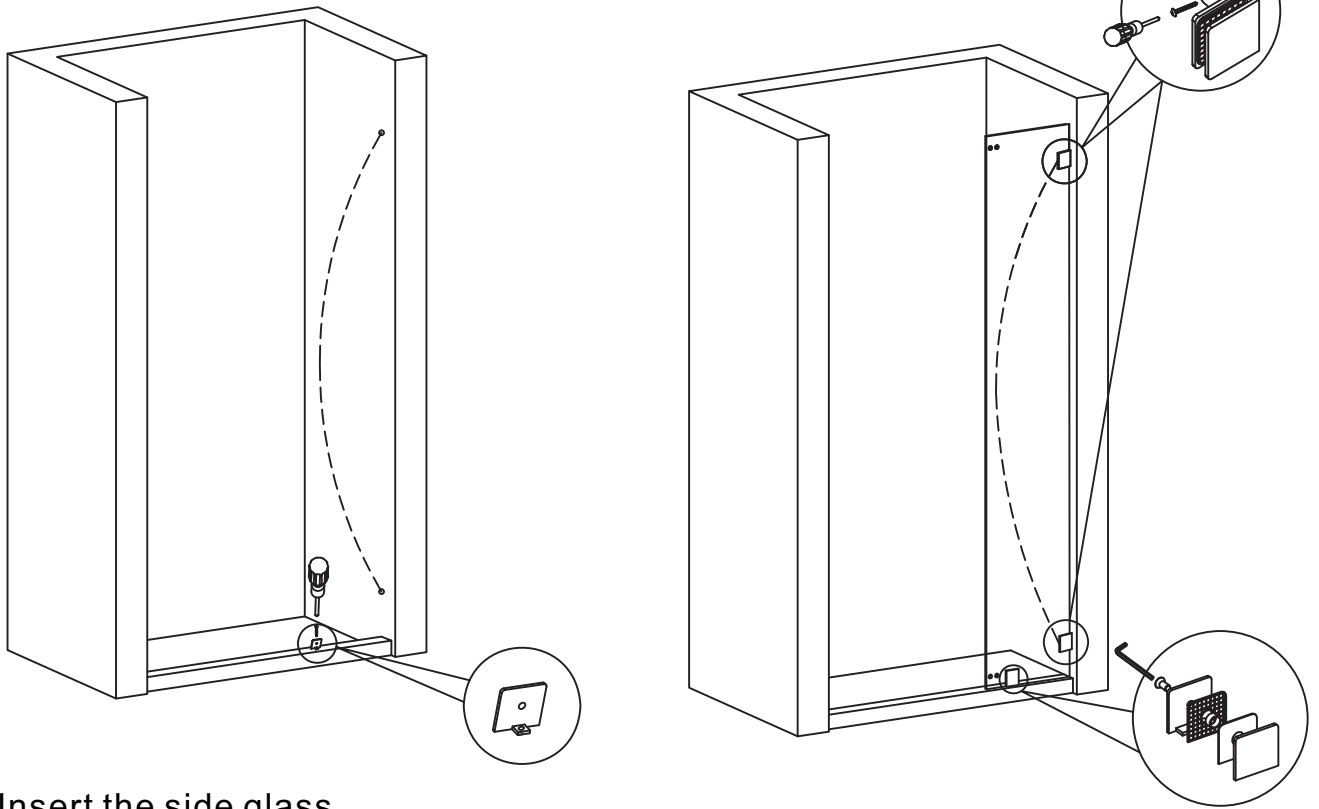
2



Make a hole by pencil.

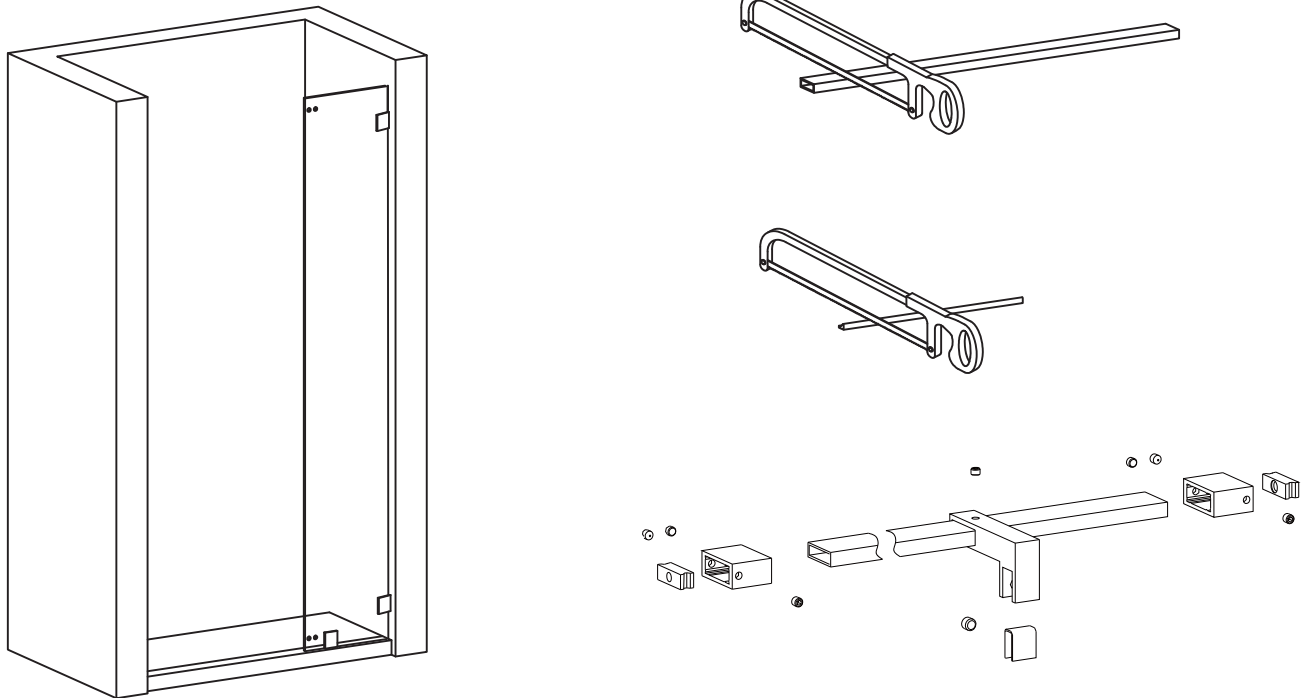
Drill a hole by an  $\phi 6$  driller, Knock in the 6mm expansion screw.

3



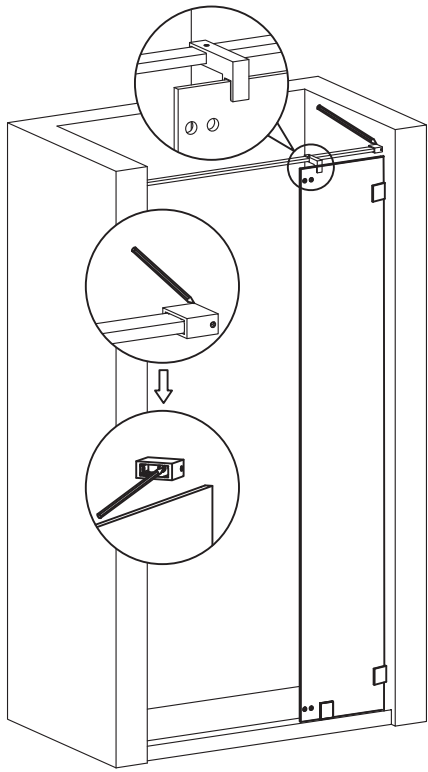
Insert the side glass.

4

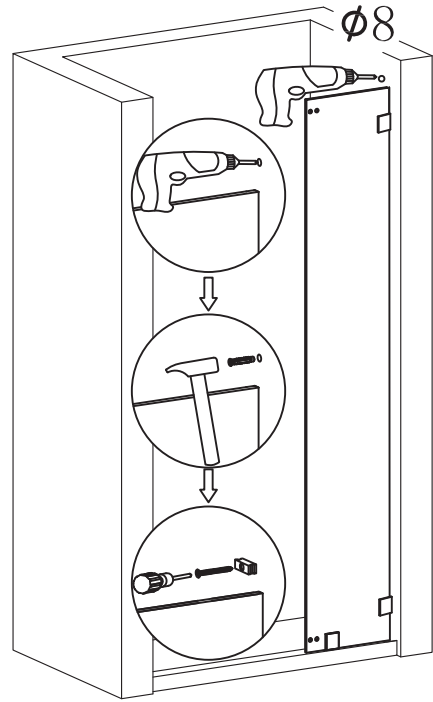


Saw cutting the suitable length of the stainless steel tube and Aluminum water bar on the basis of practical need. Assembly the draw bar parts.

5

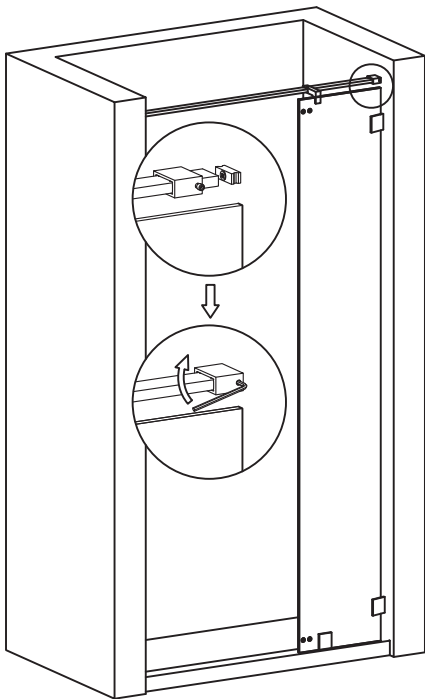


Ensure it is horizontal, draw the line along the rail seat.  
Aim at the drew line to draw the centre hole.

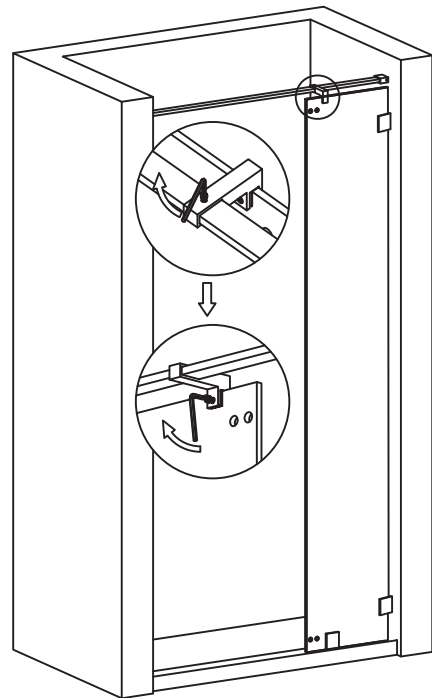


Drill a  $\phi 8$  hole.  
Knock in the  $\phi 8$  Rubber.  
Lock the tube fixing part tightly by a ST5×35 tapping screw.

6

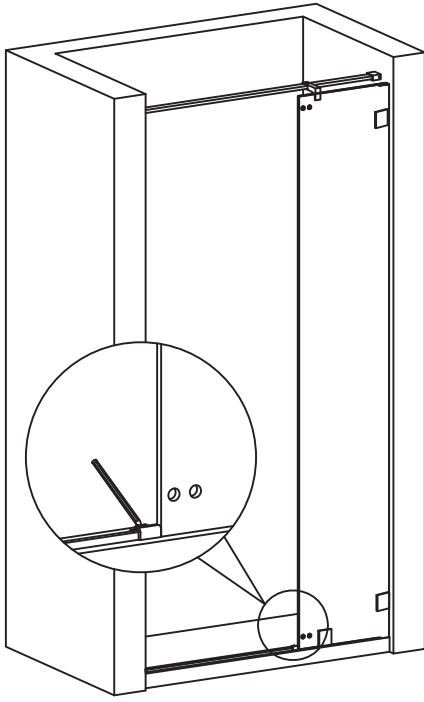


Install the draw bar parts.  
Tight the tube seat with a 3 mm hexagonal key.

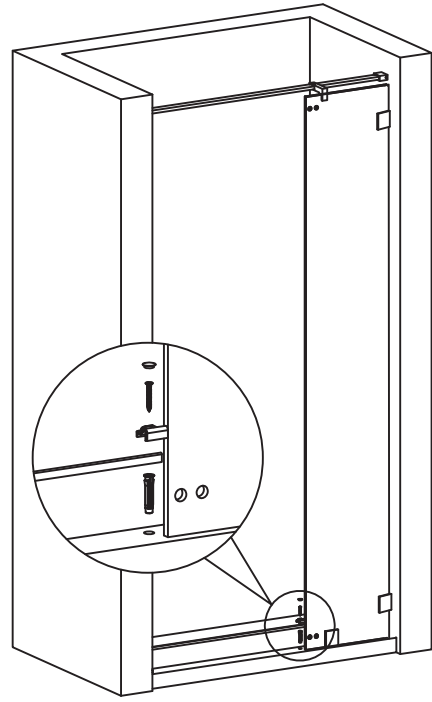


Tight the clamp with a 3 mm hexagonal key.  
Tight the clamp and fixing glass with a 4 mm hexagonal key.

7

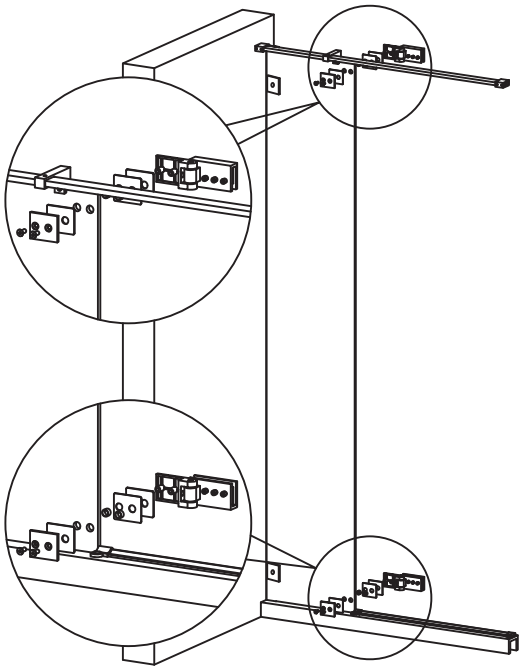


Make a hole by pencil.

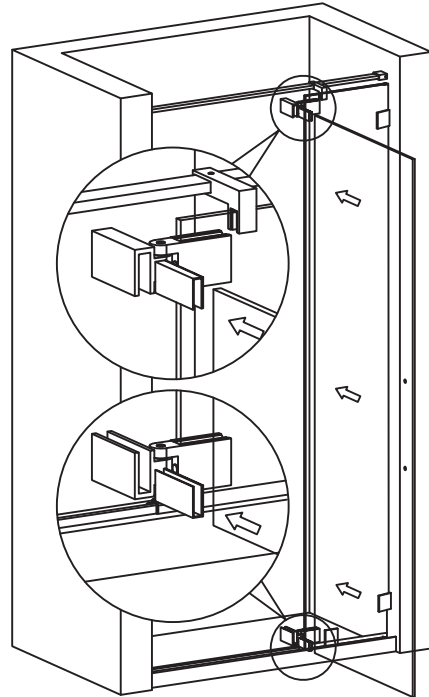


Drill a  $\phi 6$  hole.  
Knock in the  $\phi 6$  Rubber.  
Lock the rubber waterproof bar tightly by  
a ST4 $\times$ 30 tapping screw.

8

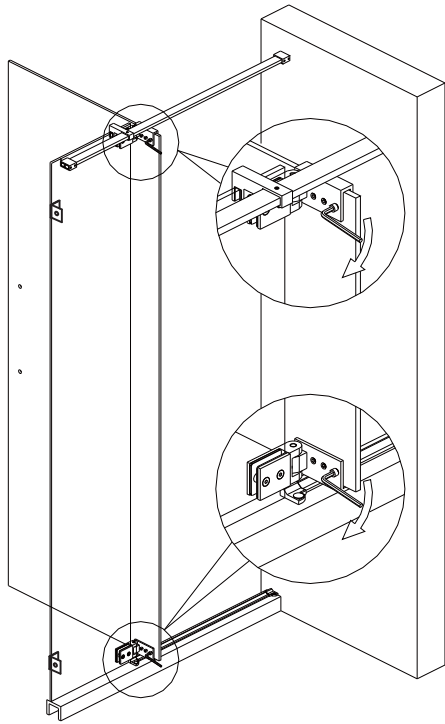


Install the door hinge.

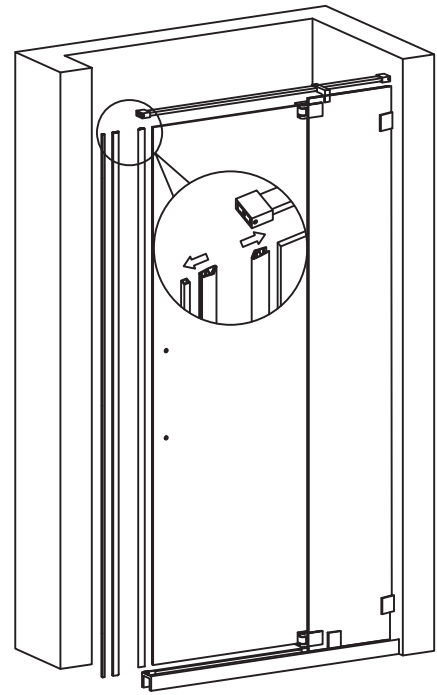


Install the moving glass.

9

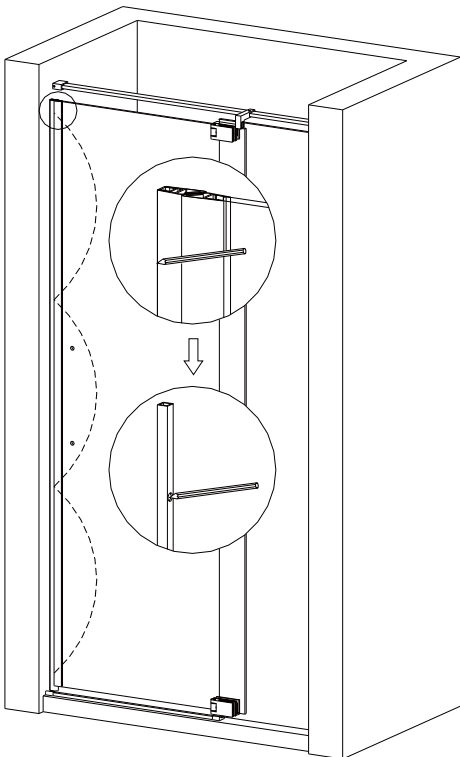


Tight the moving glass with a 4 mm hexagonal key.

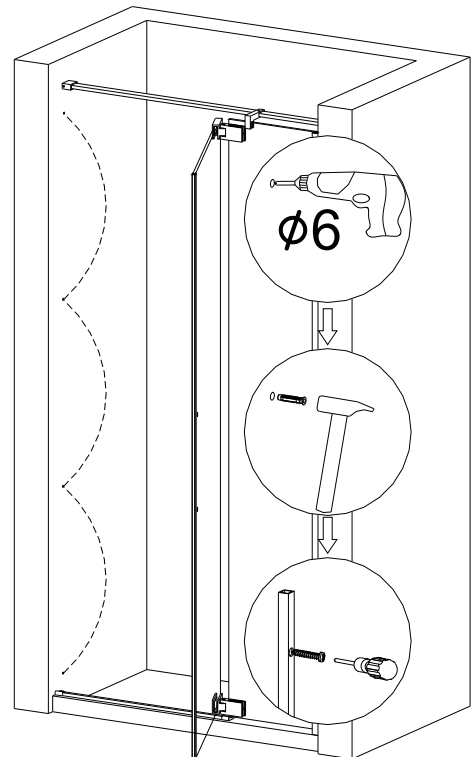


Install the magnetic stripe.

10

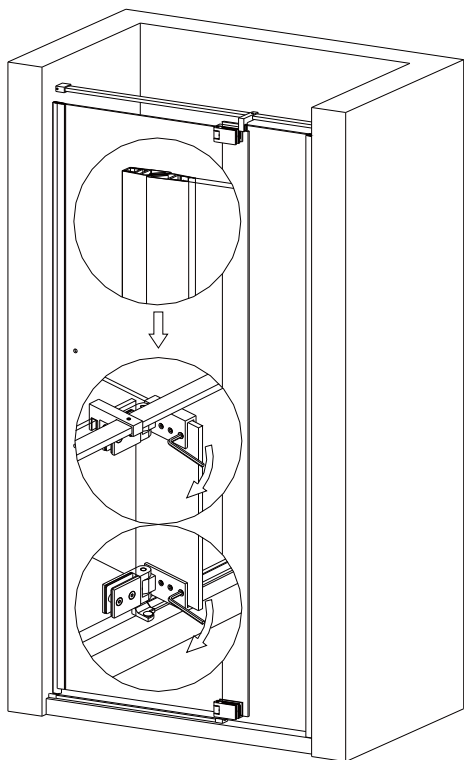


Draw the line under the closing door condition.  
Aim at the drew line to draw the centre hole.

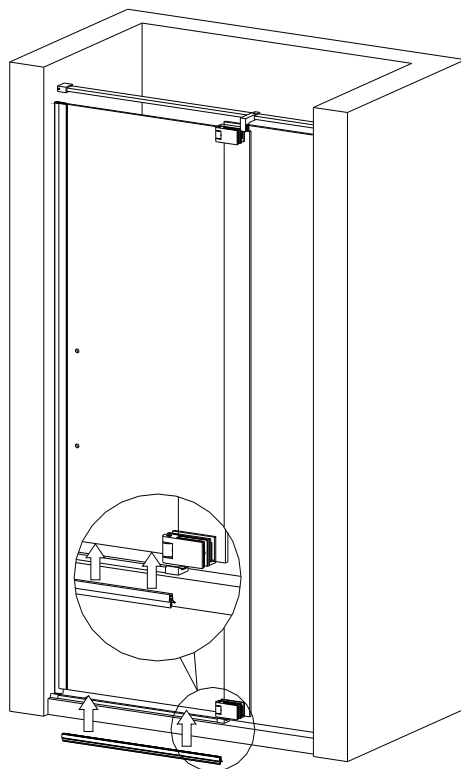


Drill a  $\phi 6$  hole.  
Knock in the  $\phi 6$  Rubber.  
Lock the 8x8mm square tube tightly by a ST4x30 tapping screw.

11

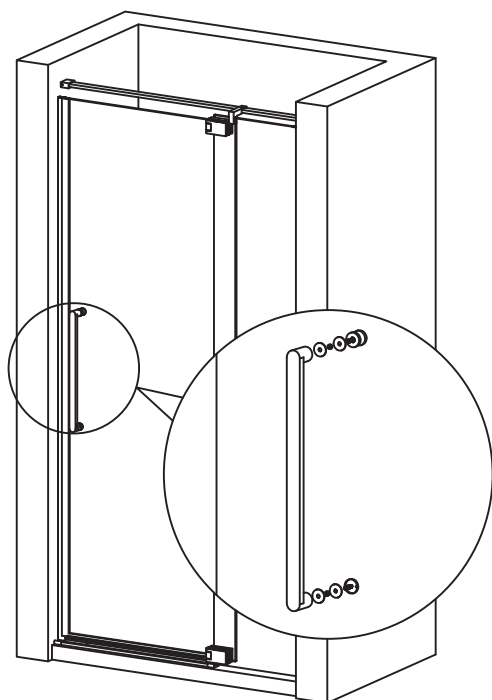


Adjust the moving glass, make sure the magnetic stripe adsorbed tightly.

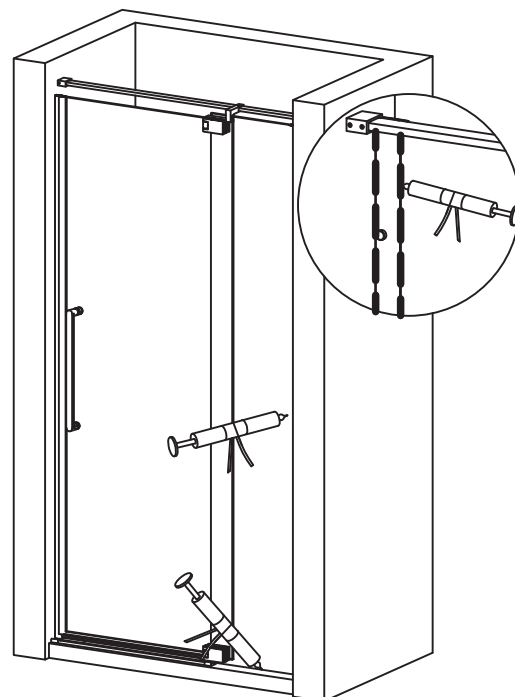


Install the rubber waterproof bar.

12



Install the handle.



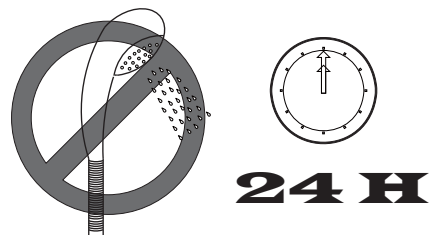
Seal the glass glue around the shower room.  
It can be used after 24 hours.



**Please read this instructions before installation.**

### **Precautions before installation.**

- The shower room should be installed by professionals according to instructions. Otherwise, the shower room may be unstable or fall down which will lead to product broken or people injured.
- Count the object quantity. The glasses must be moved by two people. Put a soft and non-slip object under the glass and stand the glass against a wall smoothly. It will make the glass broken if it is placed in horizontal position. Pay attention to avoid hitting the four corners of the glass.
- Don't strongly knock the glass to avoid being broken.
- Before install the shower room, read the instructions carefully and know well about the tooling and installation sequence.
- It can be used and clean after 24 hour installation.





## Maintenance and repair

- 1、 Don't let children, older people or activity restricted people go into the shower room alone.
- 2、 Don't climb,lean against or hang something heavy on the shower room.
- 3、 Don't be rubbed or knocked by hard object, in case to cause broken.
- 4、 Don't make the burning cigarette near the shower room, and don't leave cigarette ash in the shower room. The burning flame will destroy the spray and glass, so it must keep away from fire.
- 5、 Before entering the shower room, pay attention the height of the falling in order to avoid getting tripped.
- 6、 Before entering the shower room, don't put the hand into the crack of the door,in case any injured occur.
- 7、 The soap suds in the shower room will make people slip very easily, Be careful not to slip.
- 8、 The shower room should be kept in good ventilation, in case to avoid leaving the moisture long stay in the shower room, and cause mildew and bad smell.
- 9、 Regularly clean the sliding rail, sliding wheel and sliding lump, add lubricant (lubricant oil or lubricant wax).
- 10、 Regularly adjust the screw of sliding wheel, sliding lump to make sure the effective load bearing and good sliding position of the moving door.
- 11、 Please use neutral liquid detergent and smooth fabric to clean the shower door. Don't use any acidity, alkaline detergent,thinner, alcohol, acetone and any stronge detergent.
- 12、 When dirty water appear on the water retaining stone, you can wipe it with a little toothpaste by wet fabric.
- 13、 It will be leaking if the glass seal is dropped. So please make it up when dropped.

