

## Warranty Information

PASGO faucet warrants the original purchase (must have prove of purchase) that such product is free from defect in materials or workmanship for as long as the original consumer purchaser owns their home from the date of purchase. This warranty is limited to but not including labor charges incurred in/or damages sustained during installation, repair or replacement, nor incidental or consequential damages. This warranty does not cover items which are received secondary finishing or have been altered or modified after purchase, or for defects raised by physical abuse to or misuse of the product. This warranty gives the original purchaser of a PASGO faucet specific legal rights which may vary from state to state or from province to province. In some states or provinces the exclusion or limitation incidental or consequential damages is not allowed, for those exclusions may not apply to you.

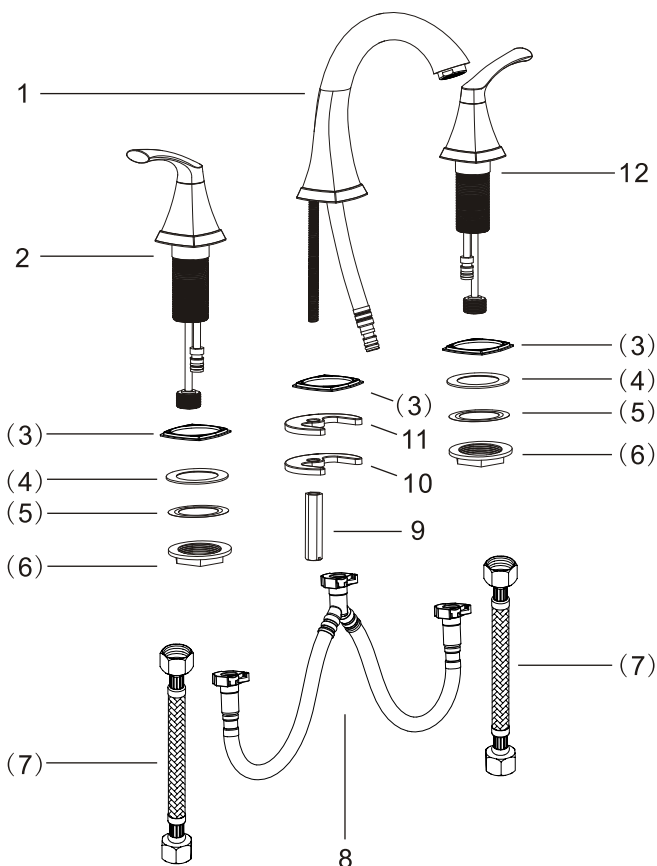
Thank you for your purchase

**PASGO**<sup>®</sup>

— Kitchen & Bath —



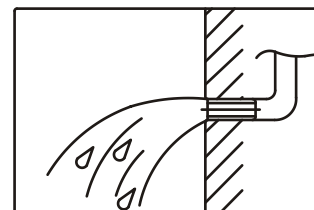
## Parts Diagram



## Parts List

NO.	NAME
1	Spout
2	Hot water valve
3	Base ring
4	Rubber ring
5	S/S plate
6	Locked nut
7	Flexible hose
8	Fast connection rubber tube
9	Fixing nut
10	Metal plate
11	Rubber ring
12	Cold water valve

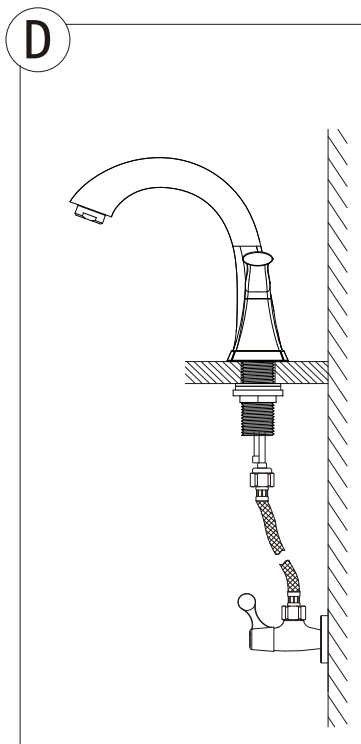
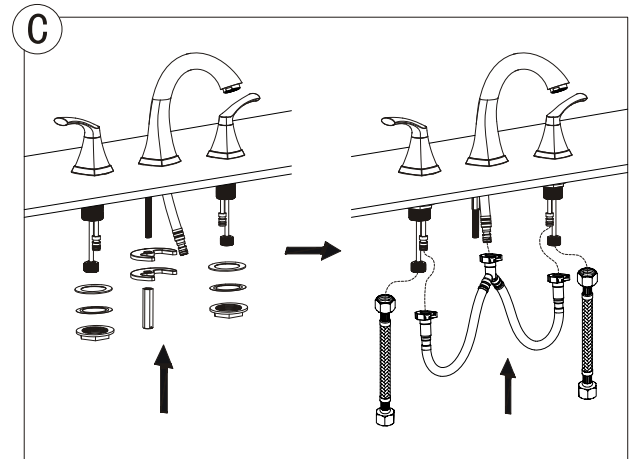
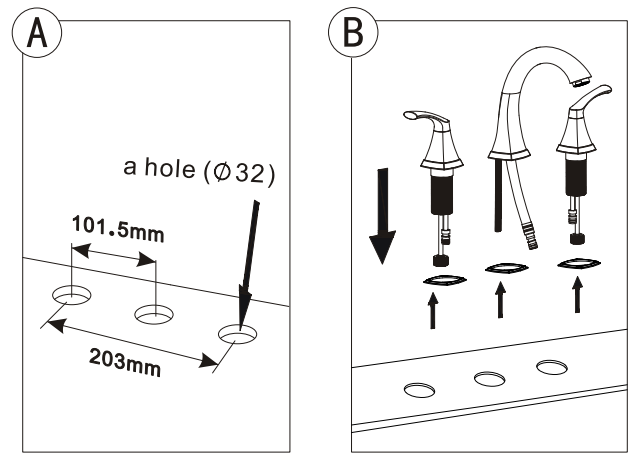
**REMARK: CLEAN THE PIPE BEFORE INSTALLATION.**



In order to avoid the obstruction of faucet, must to clean the impurities and sludge of pipe, before assembly.

## FAUCET INSTALLATION STEPS

1. Before installation, make sure there are three holes ( $\Phi 32\text{mm}$ ) on the table top. Refer to draft (A).
2. Take off the fixing screw, s/s waving plate and plastic plate (except the rubber ring), and put the inlet pipe go through the hole. Refer to draft (B)
3. Assemble the plastic plate, s/s waving plate and fixing screw to the tube, put the faucet body on the table top, and install fast connection rubber tube and flexible hose. Refer to draft (C)
4. Connect the angle valve and tighten it by wrench. Close the switch of faucet and open the switch of angle valve, keep pressure for 30 minutes, to check if it leaks at all connections. Refer to draft (D).



## INSTRUCTIONS

Turn the left handle anticlockwise to open the hot water. The larger the angle is, the larger the flow is. Reset is closed.

Turn the right handle clockwise to open the hot water. The larger the angle is, the larger the flow is. Reset is closed.

