

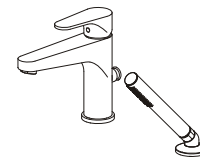
# Warranty Information

PASGO faucet warrants the original purchase (must have prove of purchase) that such product is free from defect in materials or workmanship for as long as the original consumer purchaser owns their home from the date of purchase. This warranty is limited to but not including labor charges incurred in/or damages sustained during installation, repair or replacement, nor incidental or consequential damages. This warranty does not cover items which are received secondary finishing or have been altered or modified after purchase, or for defects raised by physical abuse to or misuse of the product. This warranty gives the original purchaser of a PASGO faucet specific legal rights which may vary from state to state or from province to province. In some states or provinces the exclusion or limitation incidental or consequential damages is not allowed, for those exclusions may not apply to you.

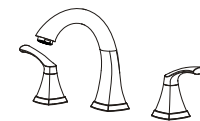
Thank you for your purchase



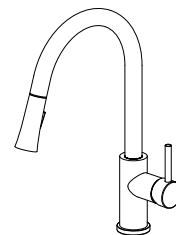
# Installation Manual



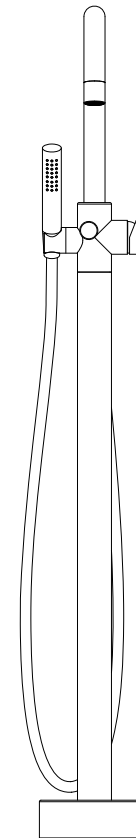
Deck Mounted Bathtub Faucets



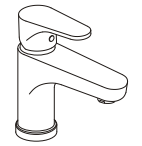
Widespread Basin Faucets



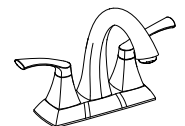
Pull Down Kitchen Faucets



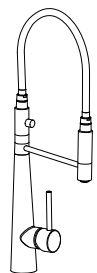
Freestanding Bathtub Faucets



Single Hole Basin Faucets

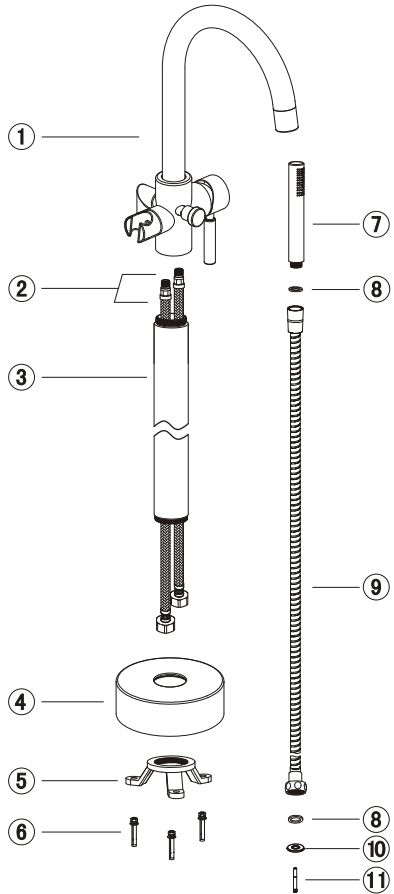


Centerset Basin Faucets



Pull Out Kitchen Faucets

# Parts Diagram



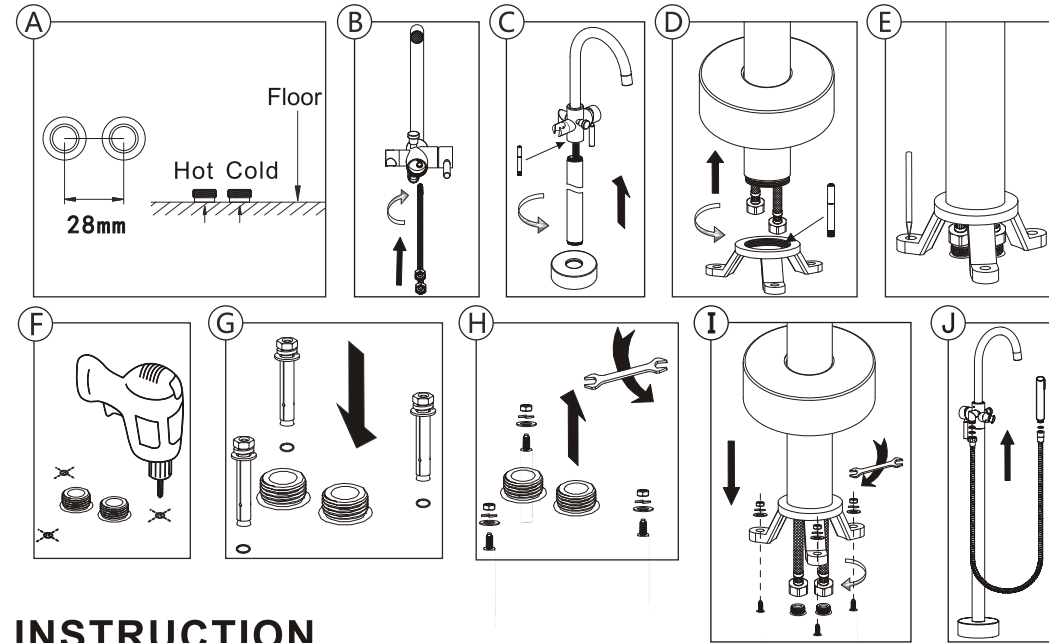
## Parts List

NO.	Description	Qty
1	Faucet body	1
2	Flexible hose	2
3	Long tube	1
4	Decorative cover	1
5	Fixing base	1
6	Screw	3
7	Hand shower	1
8	Washer	2
9	Hose	1
10	Flow rate restrictor	1
11	Glue	1

## FAUCET INSTALLATION STEPS

1. Preset the outlet direction of the faucet. After settle the hot and cold water pipe, leave the joints of the hot and cold water on the ground. The center distance is around 28mm. Refer to draft(A)
2. Install the red flexible hose to the hot water inlet hole of the faucet body. The blue flexible hose is to the cold water inlet hole. Apply the glue to the long tube inner screw thread. Fasten the long tube over the flexible hose, tighten to the faucet body, and install the decorative cover. Refer to draft (B,C)
3. Apply the glue to the inner screw thread of the fixing base. Let the flexible hose through the fixing base. Tighten the fixing base to the long tube. Refer to draft (D)
4. Adjust the faucet direction. Put the fixing base on the middle of the joints of hot and cold water. Make a mark on the hole of the fixing base. Refer to draft (E)

5. Drill holes on the marks, then install the screws to the drilled holes, remove the accessories of the screws. Refer to draft (F,G,H)
6. Put the nuts of hot and blue flexible hose to the joints of the hot and cold water, and tighten it by spanner. Then put the fixing base to the screws which are fixed on the ground. Install the accessories to the screw, tighten them by spanner. Lay down the decorative cover. Put the washer and flow rate restrictor to the outer nut of the hose, then connect with the faucet body. Put the washer to the other end of the hose, and connect with hand shower. Refer to draft (I,J)



## INSTRUCTION

1. Upturn the handle to open the water, bigger angle, more water. Turn back handle then the close water. Turn left the handle, more hot water; Turn right the handle, more cold water. Refer to draft ( I , II ).
2. Open the faucet handle, the water come out from the spout. Turn the diverter handle left or right by 90 degree, the water come out from the hand shower. Refer to draft ( III , IV ).

