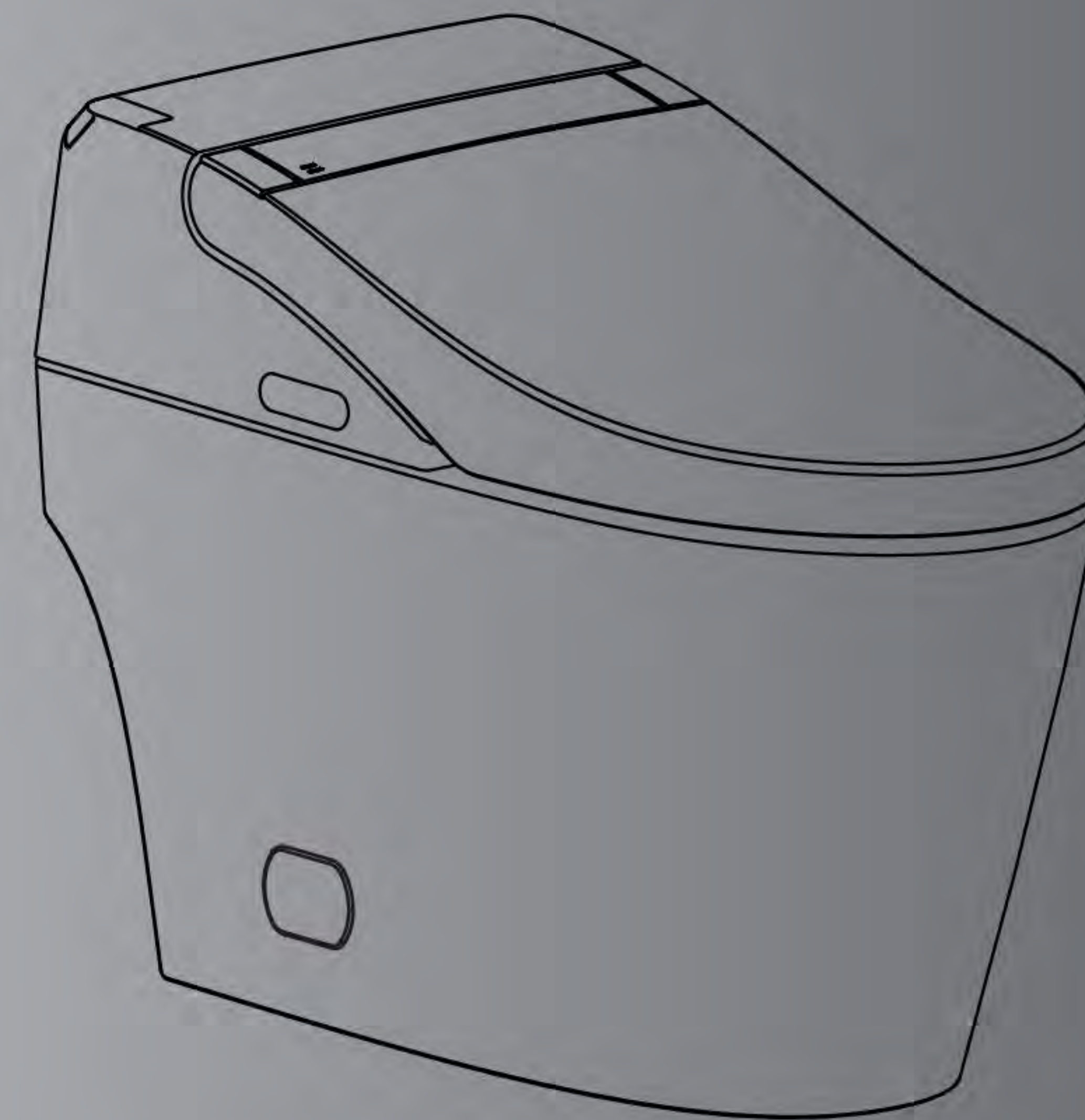


Model: V8200 V8700

Model: V8300 V8600



- Thank you for choosing our products. Please read the instructions carefully before installation and keep it available for future maintenance or reference.

Content

Installation	Important Safeguards	01
	Technical specification	03
	List of materials	05
	Technical drawings	06
	Parts identification	07
	Installation of ceramic toilet	08
	Previous preparation	10
	Auto lid open/close	11
Maintenance	Daily maintenance	12
	1.Main unit care and maintenace 2.Spray nozzle maintenance and care	
	Emergency troubleshooting	13
	1.Electricity and water supply cut-off 2.Failure of remote control 3.When the product is left unused for long time	
Others	Function keys description	15
	Troubleshooting Guide	16
	Warranty Card	17

IMPORTANT SAFEGUARDS

When using electrical products, especially when children are present, basic safety precautions should always be followed, including the following:

1. The appliance is not to be used by persons (including children) with reduced physical, sensory or mental capabilities, or lack of experience and knowledge, unless they have been given supervision or instruction.
2. Children being supervised not to play with the appliance.
3. This appliance can be used by children aged from 8 years and above and persons with reduced physical, sensory or mental capabilities or lack of experience and knowledge if they have been given supervision or instruction concerning use of the appliance in a safe way and understand the hazards involved.
4. Children shall not play with the appliance.
5. Cleaning and user maintenance shall not be made by children without supervision.

READ ALL INSTRUCTIONS BEFORE USING



DANGER—To reduce the risk of electrocution:


1. Do not use while bathing.
2. Do not place or store product where it can fall or be pulled into a tub or sink.
3. Do not place in or drop into water or other liquid.
4. Do not reach for a product that has fallen into water. Unplug immediately.
5. Do not wash the main unit or electrical plug with water or detergent.
6. Do not handle the electrical plug with wet hands.
7. Do not put a hand or other staff over the outlet of air dryer or block the outlet of air dryer.
8. Never disassemble, repair or modify this product.
9. During installation, disassembly, repair and maintenance of the product, the power plug must be switched off and water supply be shut off.



WARNING—To reduce the risk of burns, electrocution, fire, or injury to persons.

1. Close supervision is necessary when this product is used by, on, or near children or invalids.
2. Use this product only for its intended use as described in this manual. Do not use attachments not recommended by the manufacturer.
3. Never operate this product if it has a damaged cord or plug, if it is not working properly, if it has been dropped or damaged, or dropped into water. Return the product to a service center for examination and repair.
4. Keep the cord away from heated surfaces.
5. Never use while sleeping or drowsy.
6. Never drop or insert any object into any opening or hose.
7. Do not use outdoors or operate where aerosol (spray) products are being used or where oxygen is being administered.
8. Connect this product to a properly grounded outlet only. See Grounding Instructions.
9. Do not throw cigarettes and other burning stuff into toilet, otherwise it might cause fire.
10. This product is electric appliance, so it must be placed far away from water. Please don't drench urine and other liquid to it.
11. Do not lay on side or upside the product during the electrical circuit.
12. It is prohibited to use other electric appliances in the same socket.
13. It is forbidden to use the power extension or unstable loose outlet.
14. The old aging water supply hose can not be used, otherwise it might cause leakage, fire or electrical shock. Installation of the bidet seat should include specified components and new water supply hose.

IMPORTANT SAFETY INSTRUCTIONS

 **CAUTION** – Indicates that failure to follow the instruction may cause body injury or property damage.

1. Do not install or use the product in wet places as steam room etc.
2. It is recommended to use water-proof electrical outlet which should be installed in the place where is not easily got wet.
3. This product should be used with 110V-120V, 50/60Hz electrical current only, load current is at least 15A. Power plug must be equipped with ground fault circuit interrupter or ground fault electrical leakage protector or similar high sensitive, rapid type leakage switch (Rated sensitive current under 6mA).
4. When it thunders, it is strongly recommended to pull out the power plug.
5. Do not stand on ceramic toilet.
6. Ceramic toilet must install floor fixing bolt.
7. Do not stand on product unit, seat and cover.
8. Do not lean against the seat cover when using the product, to avoid damage.
9. This product is equipped with soft-closing seal cover. Heavy pressing or pushing may damage the soft-closing damper.
10. Do not use lacquer thinner, petrol, liquid medicine, detergent, insecticide, toilet cleanser and scrubbing brush to clean the product.
11. Exposure to direct sunlight is prohibited.
12. Only use tap water or potable water; otherwise it may cause chafing.
13. Do not connect water supply to heater outlet. Make sure inlet water temperature at 3~35°C / 37.4~95°F.
14. When the room temperature is under zero degree, please dry up the water tank, to avoid freezing.
15. Raise rest room temperature to prevent the toilet from damage due to freezing.
16. When move the product from cold or wet environment into normal room temperature, wait for 2 hours until the condensation water is fully volatilized. Doing so can prevent the product from electrical short-circuit.
17. When not using the product over three(3) days, drain the water out of the container and pull the electrical plug from the wall outlet.
18. Stop using the product and shut off the power when product malfunctions, please contact the service people for professional service.

GROUNDING INSTRUCTIONS

This product should be grounded. In the event of an electrical short circuit, grounding reduces the risk of electric shock by providing an escape wire for the electric current. This product is equipped with a cord having a grounding wire with a grounding plug. The plug must be plugged into an outlet that is properly installed and grounded.

 **DANGER** – Improper use of the grounding plug can result in a risk of electric shock.

If repair or replacement of the cord or plug is necessary, do not connect the grounding wire to either flat blade terminal. The wire with insulation having an outer surface that is green with or without yellow stripes is the grounding wire.

This product is factory equipped with a specific electric cord and plug to permit connection to a proper electric circuit. Make sure that the product is connected to an outlet having the same configuration as the plug. No adapter should be used with this product. Do not modify the plug provided — if it will not fit the outlet, have the proper outlet installed by a qualified electrician. If the product must be reconnected for use on a different type of electric circuit, the reconnection should be made by qualified service personnel.

SAVE THESE INSTRUCTIONS

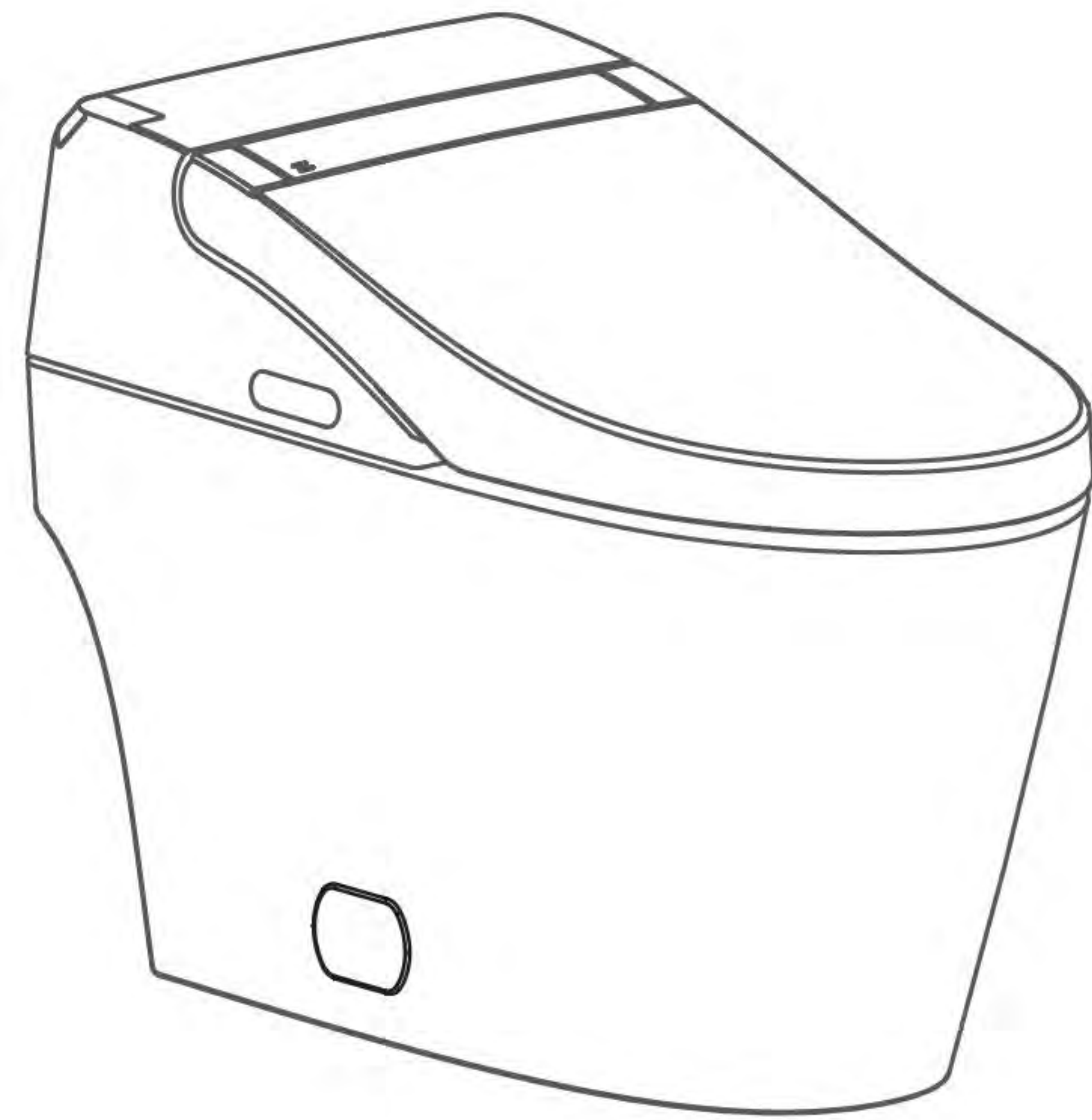
Technical Specification

Main Unit	Rating pressure	110V-120V,50/60Hz
	Rating power	1050W
	Water pressure range	Minimum water pressure 0.07MPa (20L/min. flow). Maximum water pressure 0.8MPa (Hydrostatic pressure)
	Electrical wire	length is about 1.8m
Toilet	Flush volume	1.6/1.1Gpf(6.0/4.1Lpf)
	Flushing mode	Siphonic jet
	Hole distance	305mm
	Outlet outside diameter	≤100mm
	Drainage method	Down-drain
Cleaning device	Heating power	1200W
	Water temperature	6 different level adjustment
	Water volume	5 different level adjustment
	Cleansing mode	Rear cleaning/Rear massage,Front cleansing for ladies
	Spray cleansing location	5 different level adjustment
	Water pressure protector	Pressure stabilizer,Automatic pressure discharging
	Anti-fouling device	Speedy water discharge device, Automatic cleansing nozzle, Anti-syphon device, Anti-backflow device, Filter device
	Safety device	Temperature sensor, fail safe device, Bimetallic thermostat, Temperature fuse, Grounding protection, Leakage protector
Drying device	Warm wind speed	Over 4 m/s
	Warm wind temperature	6 different level adjustment
	Heating power	250W
	Safety device	Temperature sensor, Bimetallic thermostat, temperature fuse
Deodorization	Deodorization Method	Activated carbon or photocatalyst absorption

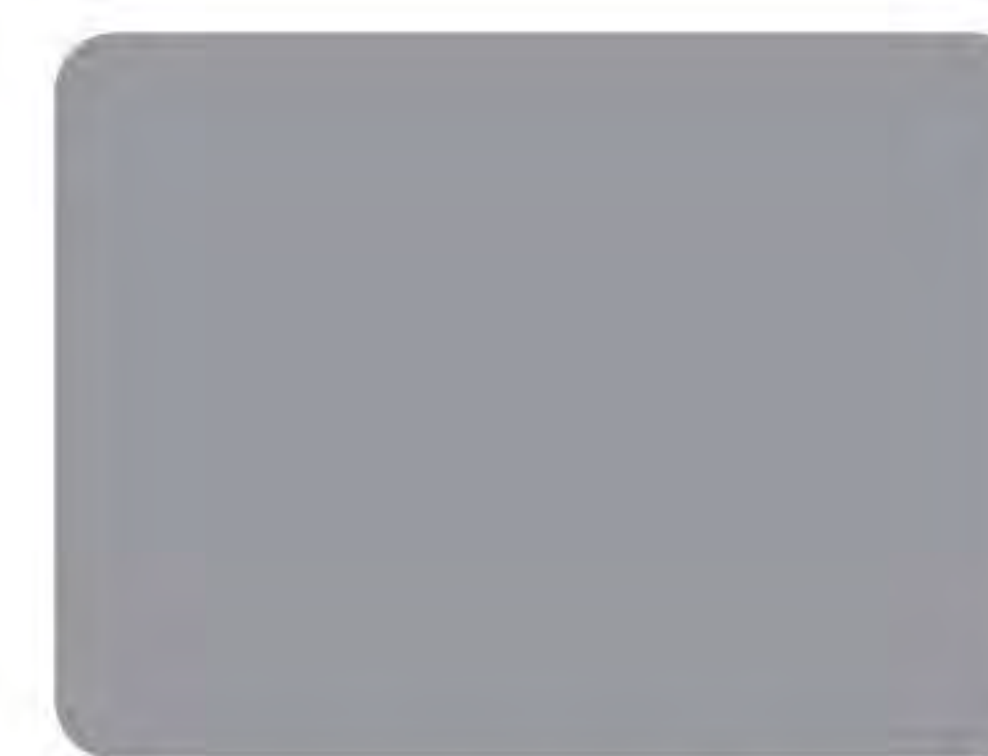
Heated seat	Surface temperature	6 different level adjustment
	Heating power	50W
	Open and close device	Quiet soft-closing device,Auto open and close
	Heated burning protection	The seat temperature will automatically lower to level 1 in 10 minutes after using
	Safety device	Seat sensor, Temperature sensor, Bimetallic thermostat, Temperature fuse
Caring device	Night light assembly	intelligent,often in the off state
	User ID setting	To avoid disturbance from remote controls by multi-user
	Automatic flushing	Toilet will automatically flush as user walks away from bowl
	Auto lid open/close(optional)	Intelligent lid open/close or by remote controller

Rated power:
 Under the condition of ambient temperature 23 °C/73 °F , water static pressure 0.18MPa±0.02MPa, water temperature 15 °C/59 °F , power toilet on, set water pressure, seat temperature, water temperature to the highest level in turn and perform one rear washing cycle.

List of materials



Main Unit



Remote controller components



Sealing Flange



Installation Cardboard

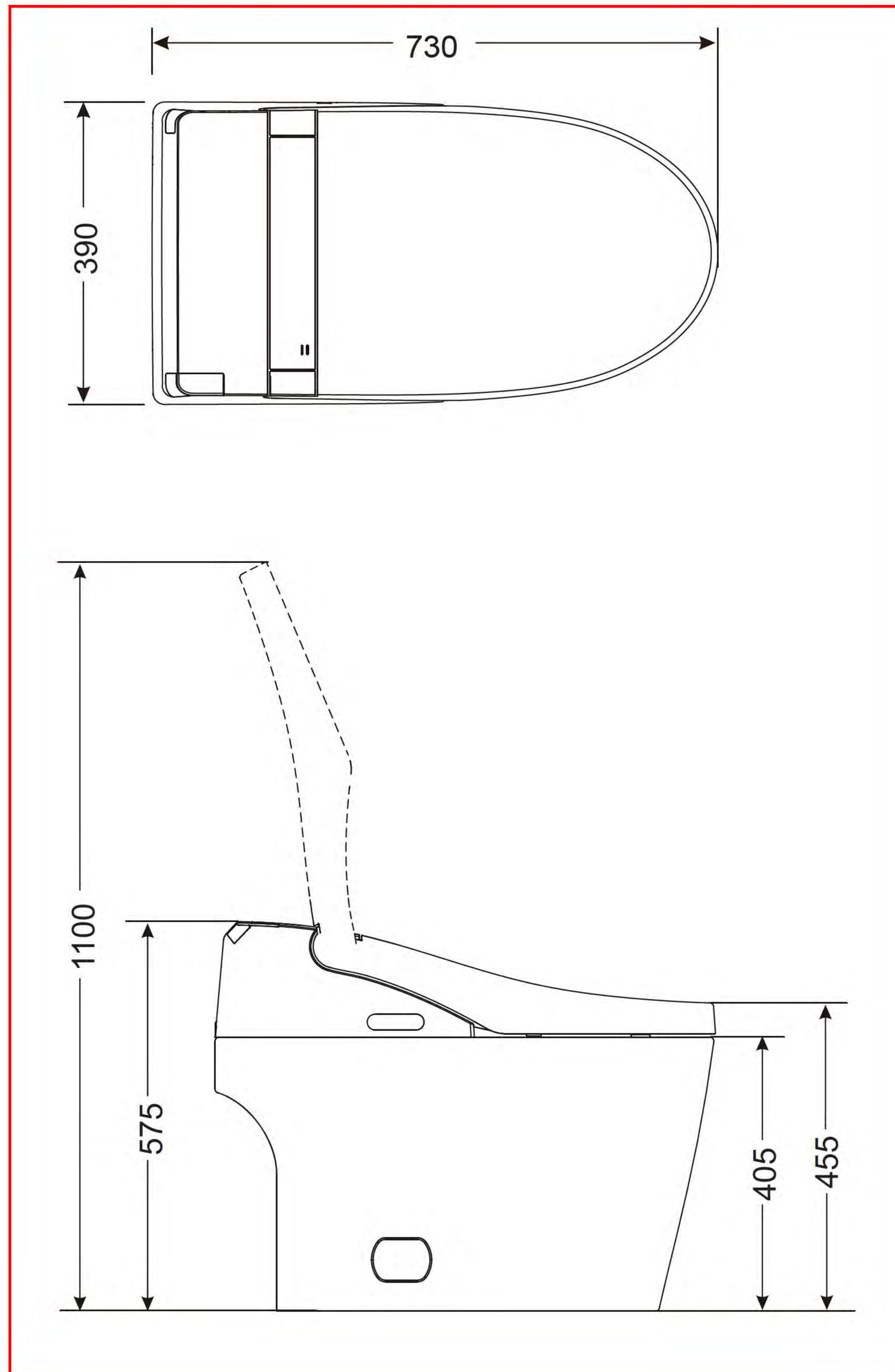


Installation Manual



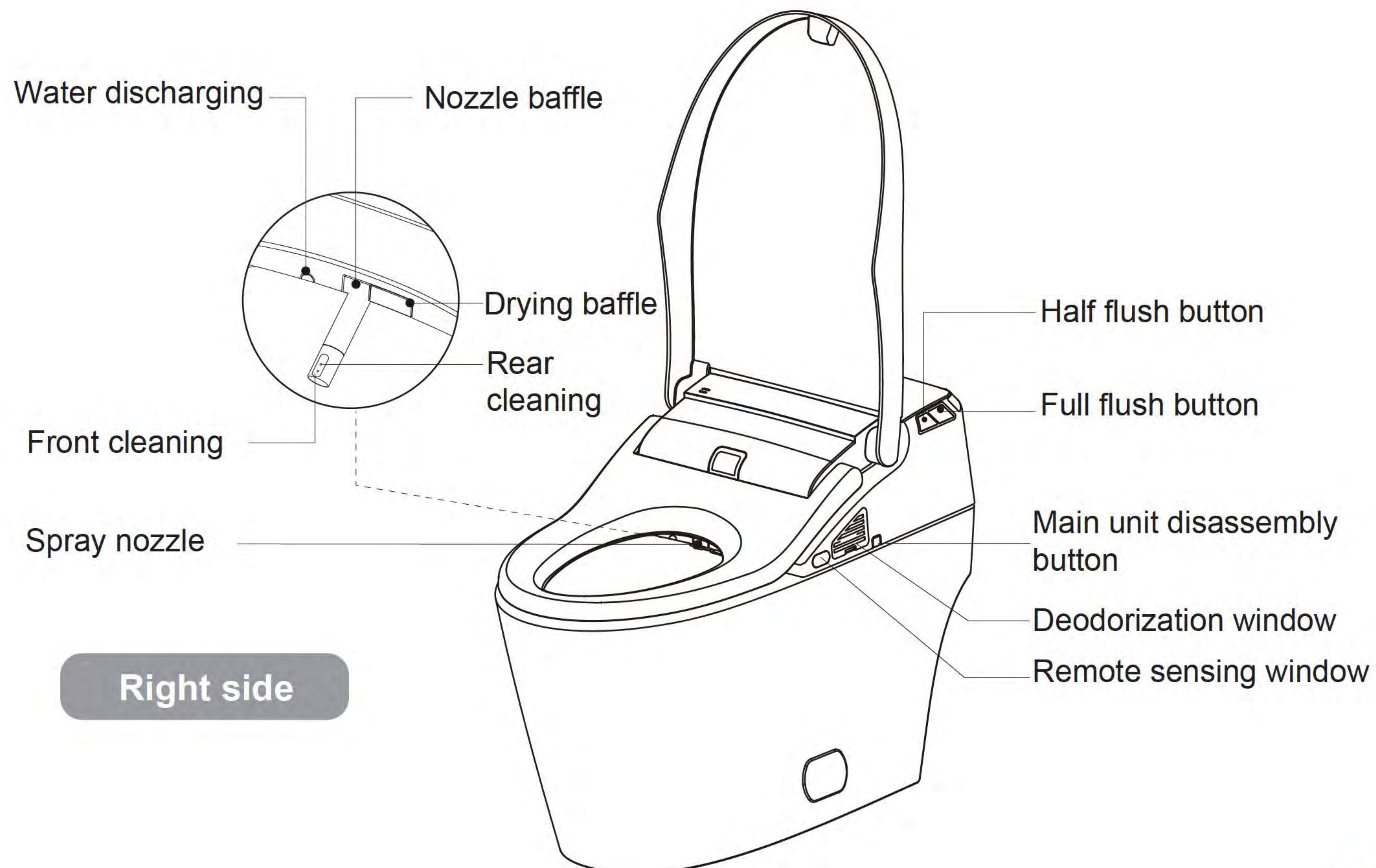
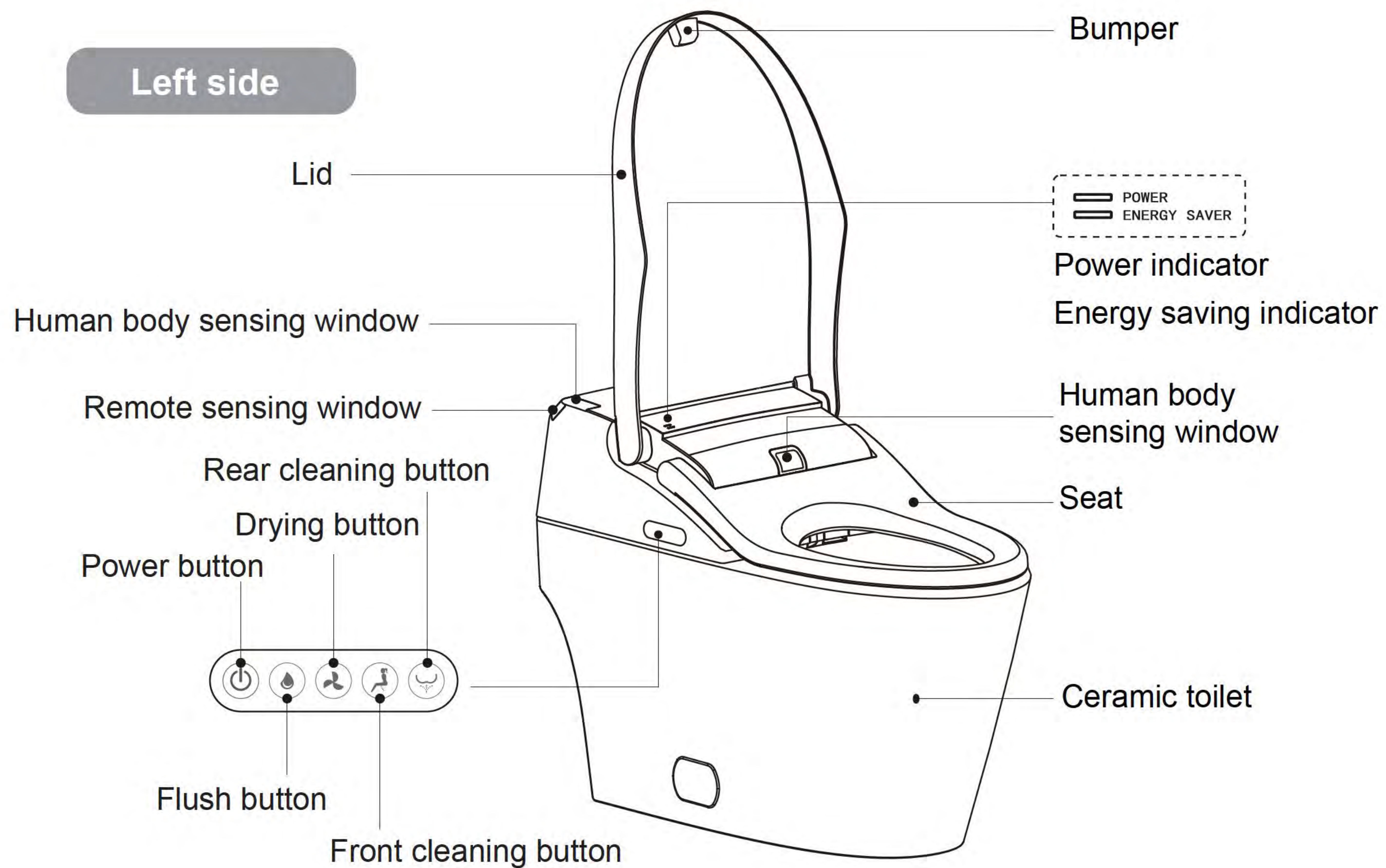
Warranty Card

Technical drawing



The product shape chart is for reference only, and we reserve the right to modify the appearance of the product.

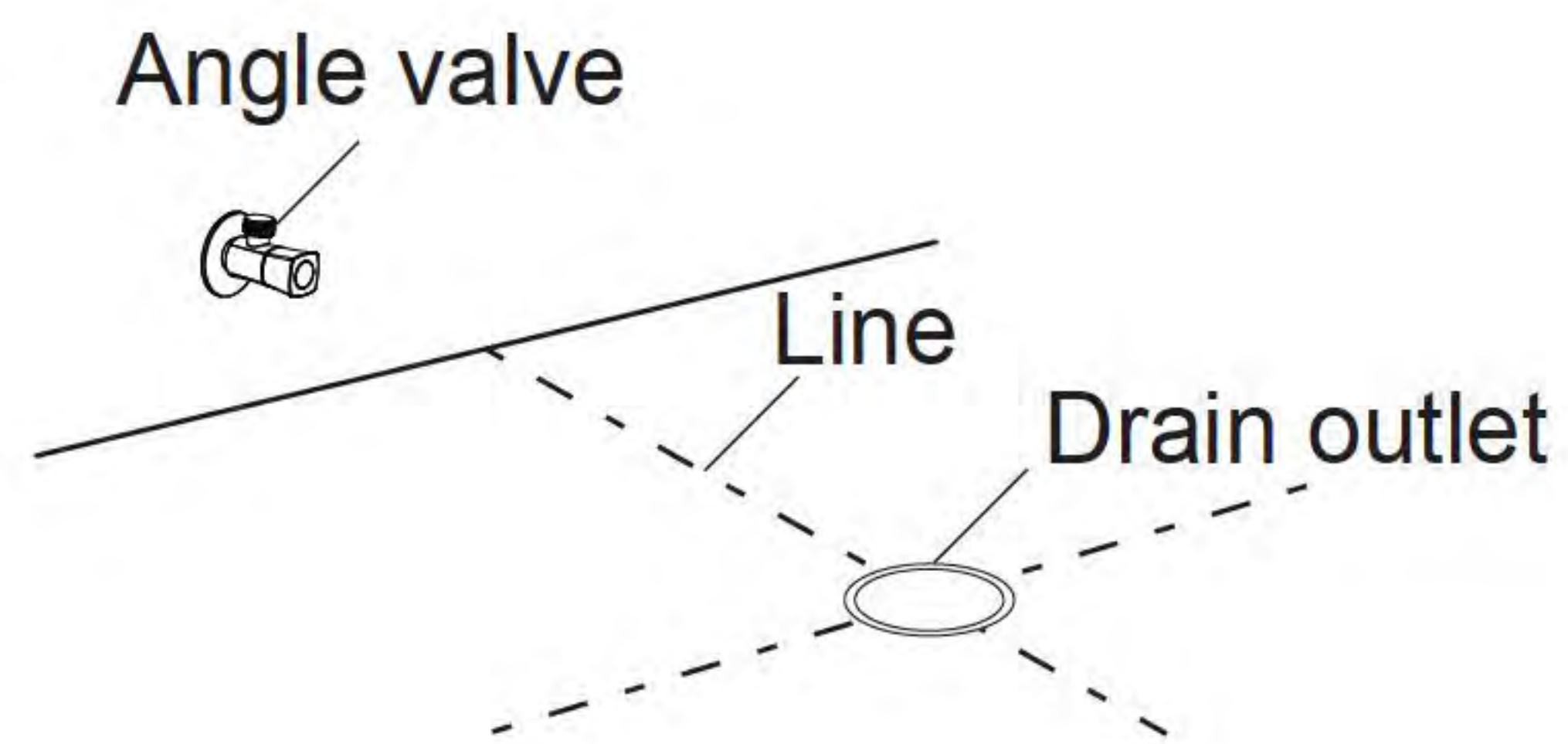
Parts identification



Installation of ceramic toilet

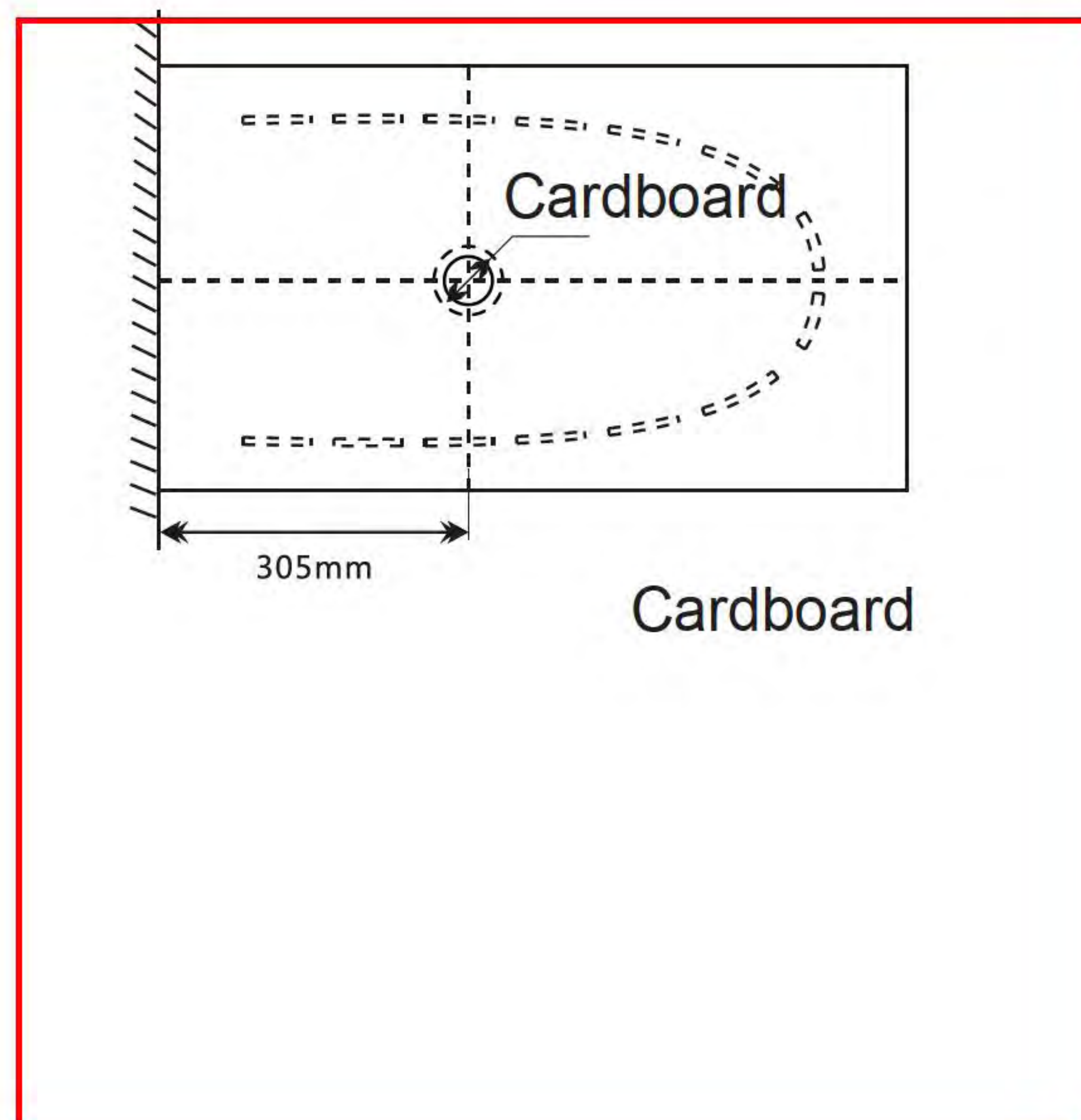
1. Water supply angle valve installation

- Draw drain outlet centerline on the floor, Install angle valve at proper position on wall according to dimension of toilet.



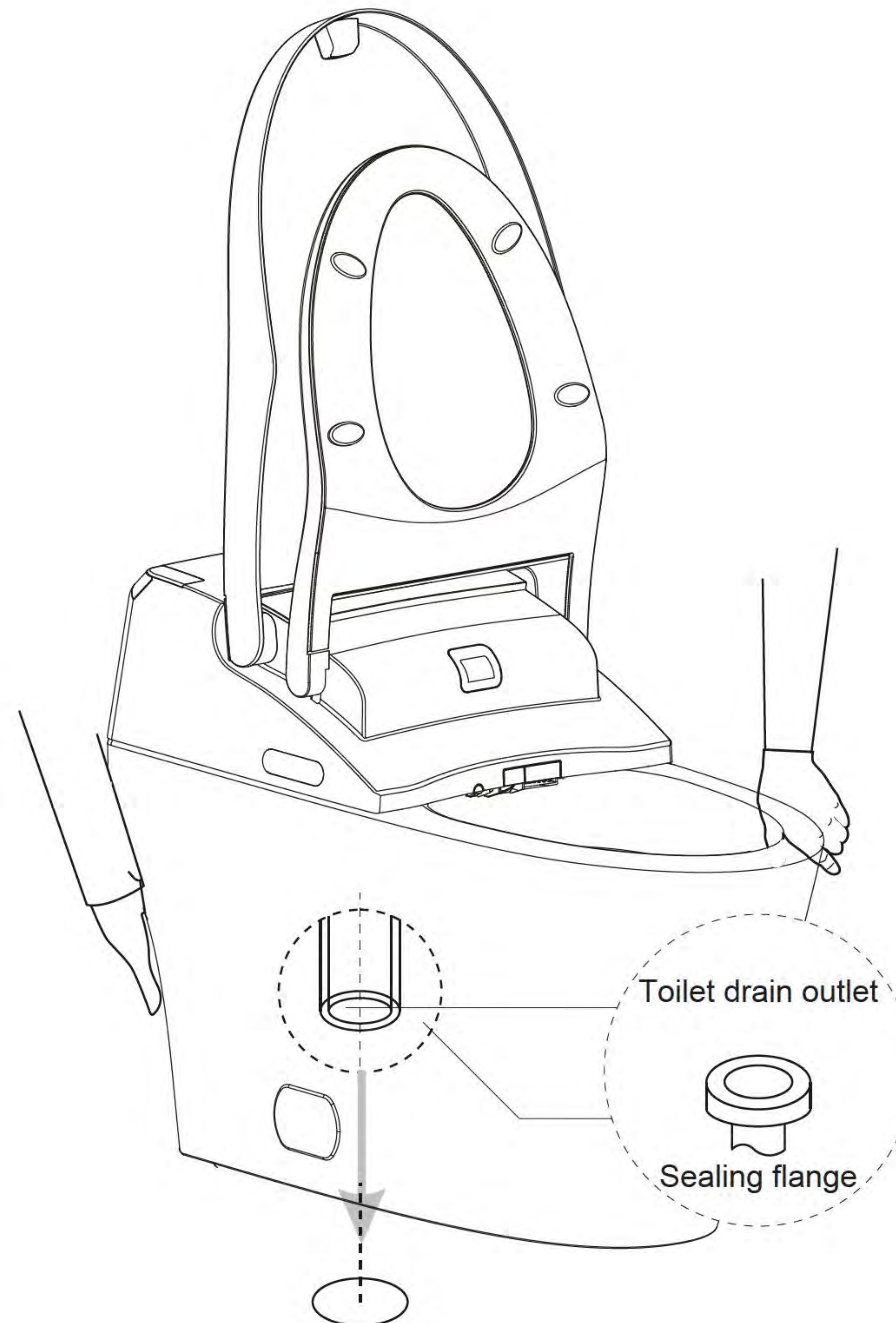
2. Cardboard installation

- Align cardboard with the centerline of drain outlet;
- Draw contour line according to cardboard;
- Please mark the position of floor fixing bolts.



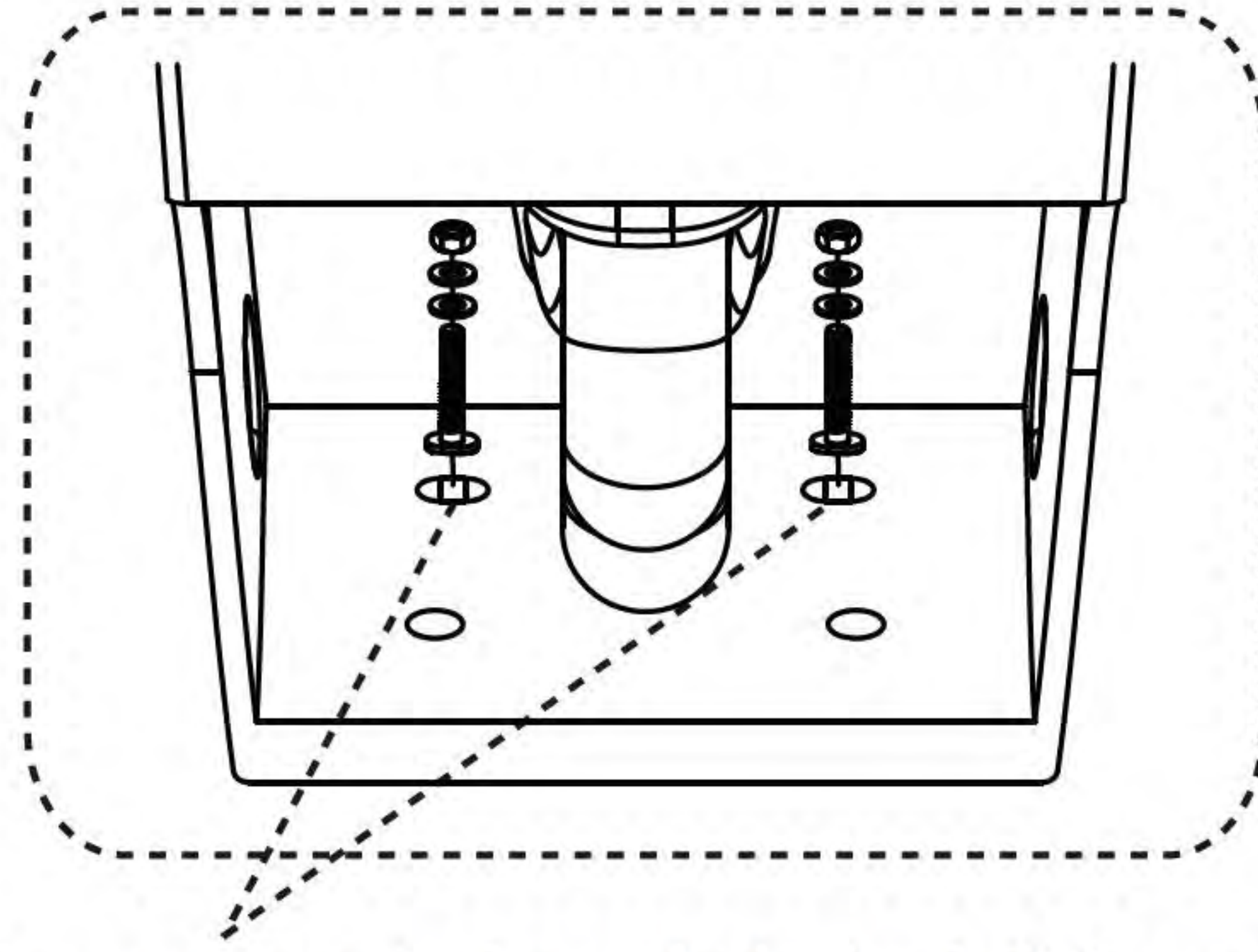
3. Ceramic toilet installation

- Install sealing flange into drain outlet;
- Install ceramic toilet on corresponding position according to contour line.

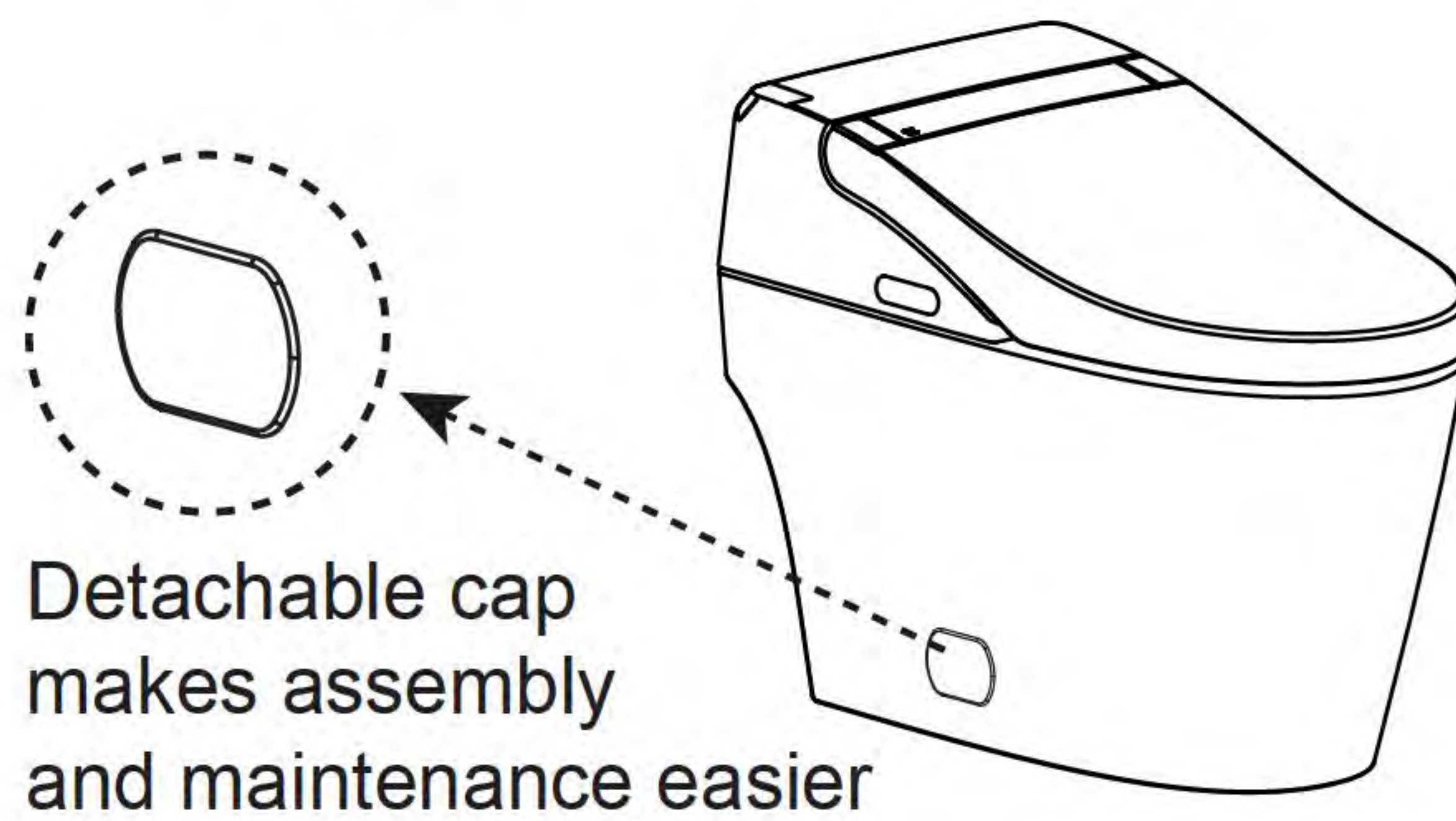


Tips:

The toilet is heavy, and it needs to open the seat cover to carry it by two people.



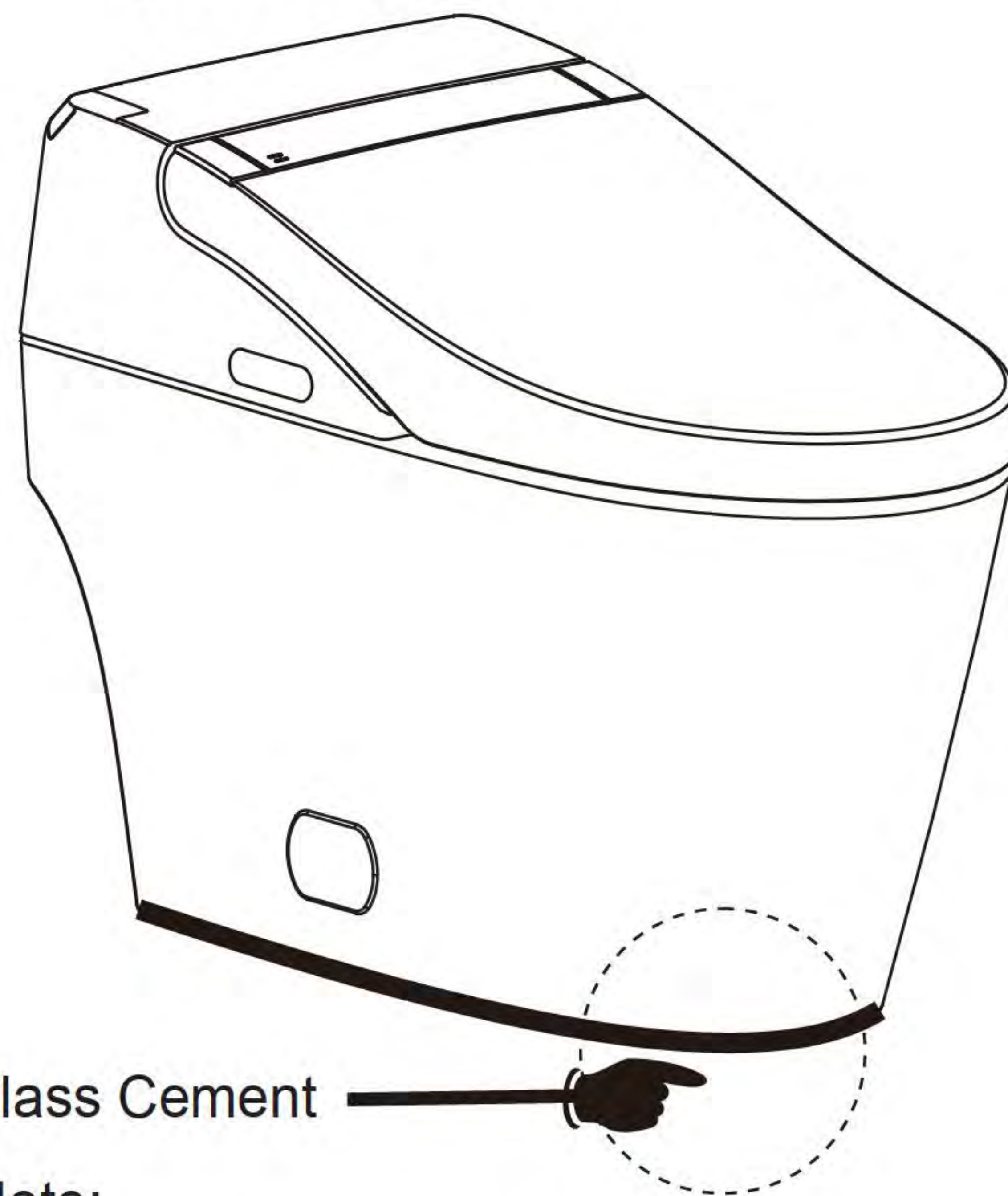
Note: Recommend strongly to install floor fixing bolt! It can make product more stable to avoid damage of toilet or personal injury because of shifting or turning over by misusing (squat or stand on toilet).



Detachable cap makes assembly and maintenance easier

4. Glass cement application

- Glue the edge of toilet bottom with glass cement.



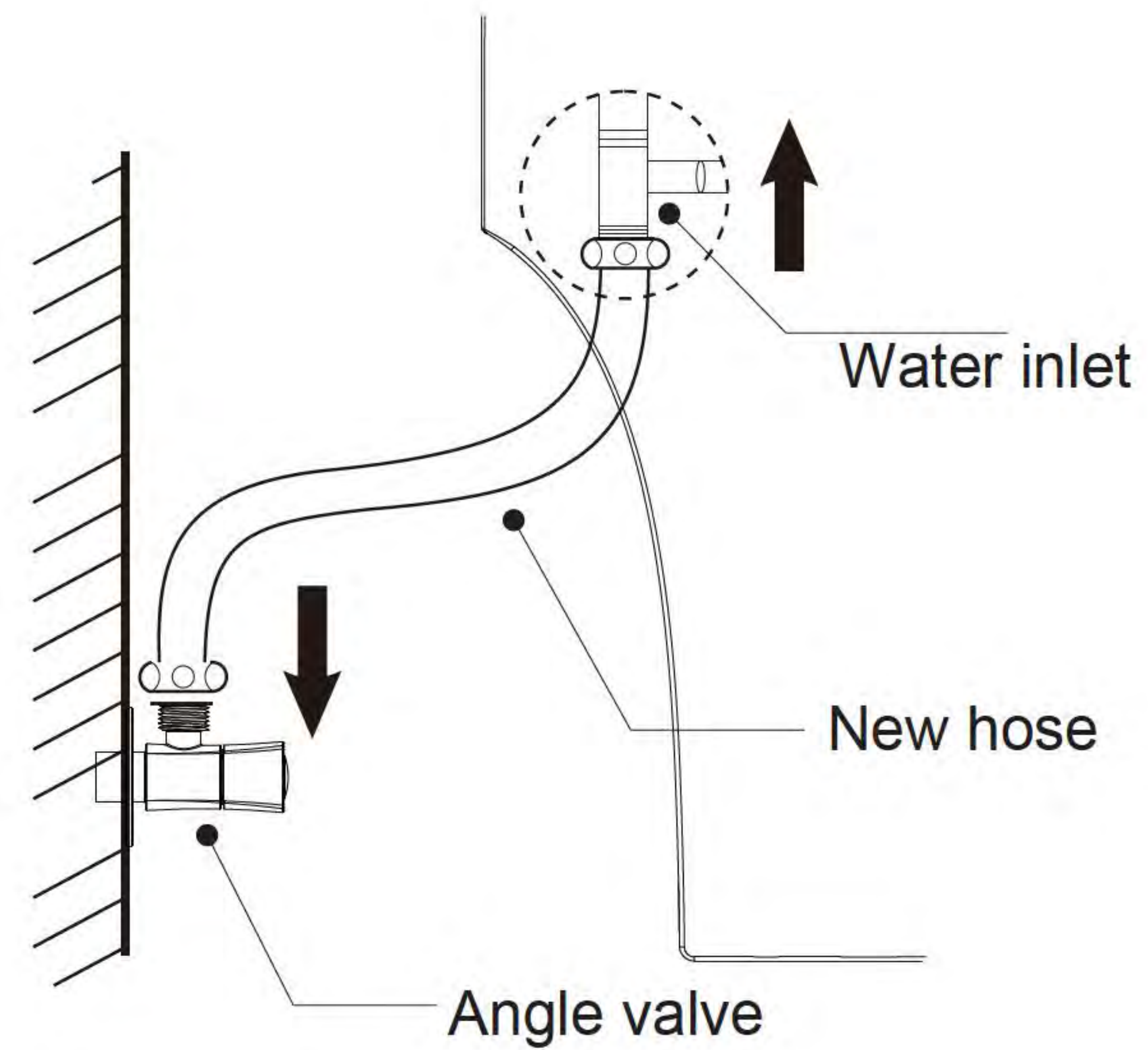
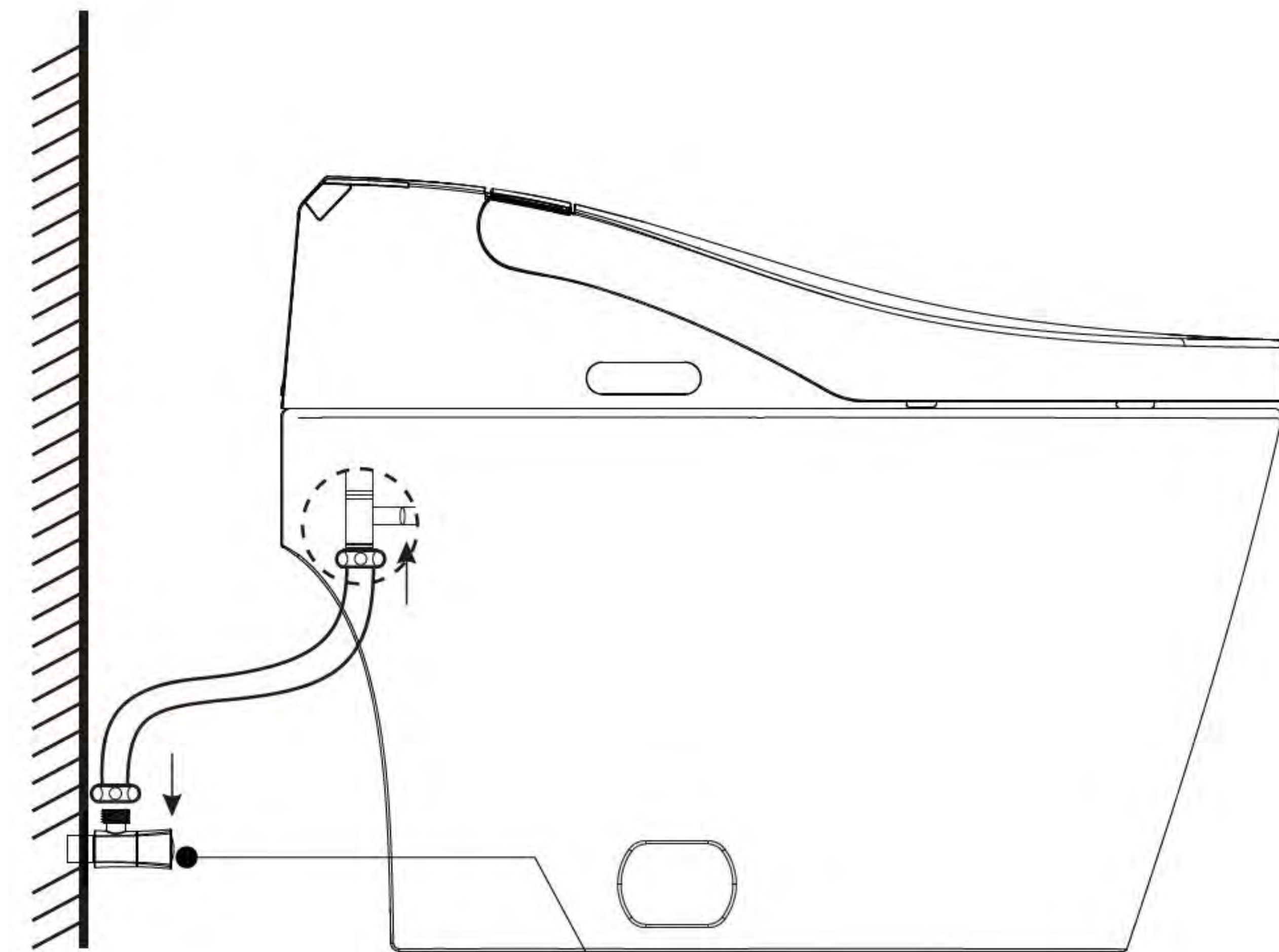
Glass Cement

Note:

Please clean the drain outlet;
Please make sure ceramic toilet outlet sits perfectly on drain outlet.

5. Installation of hose

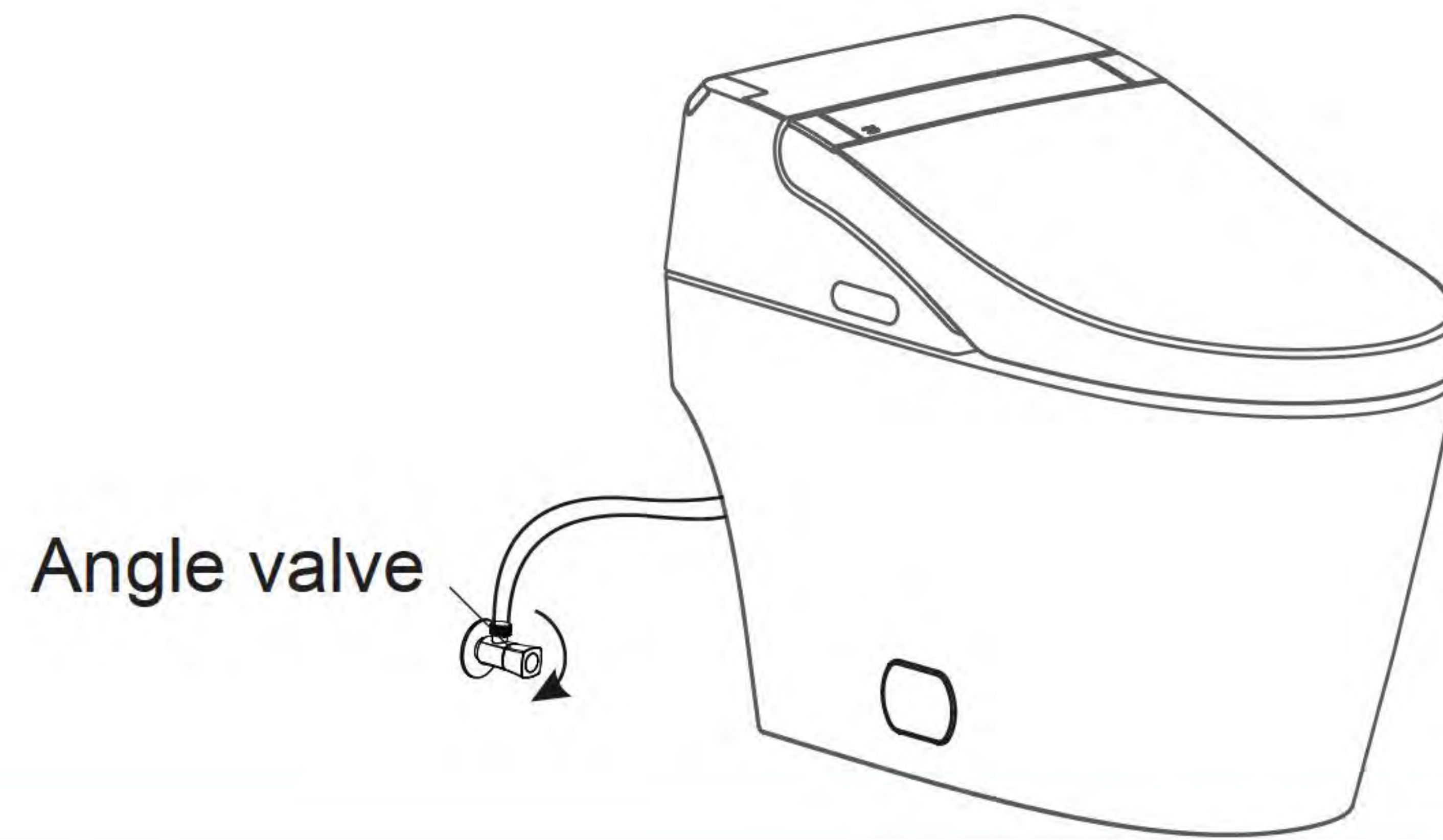
- Connect water inlet and angle valve by new hose.



Previous preparateion

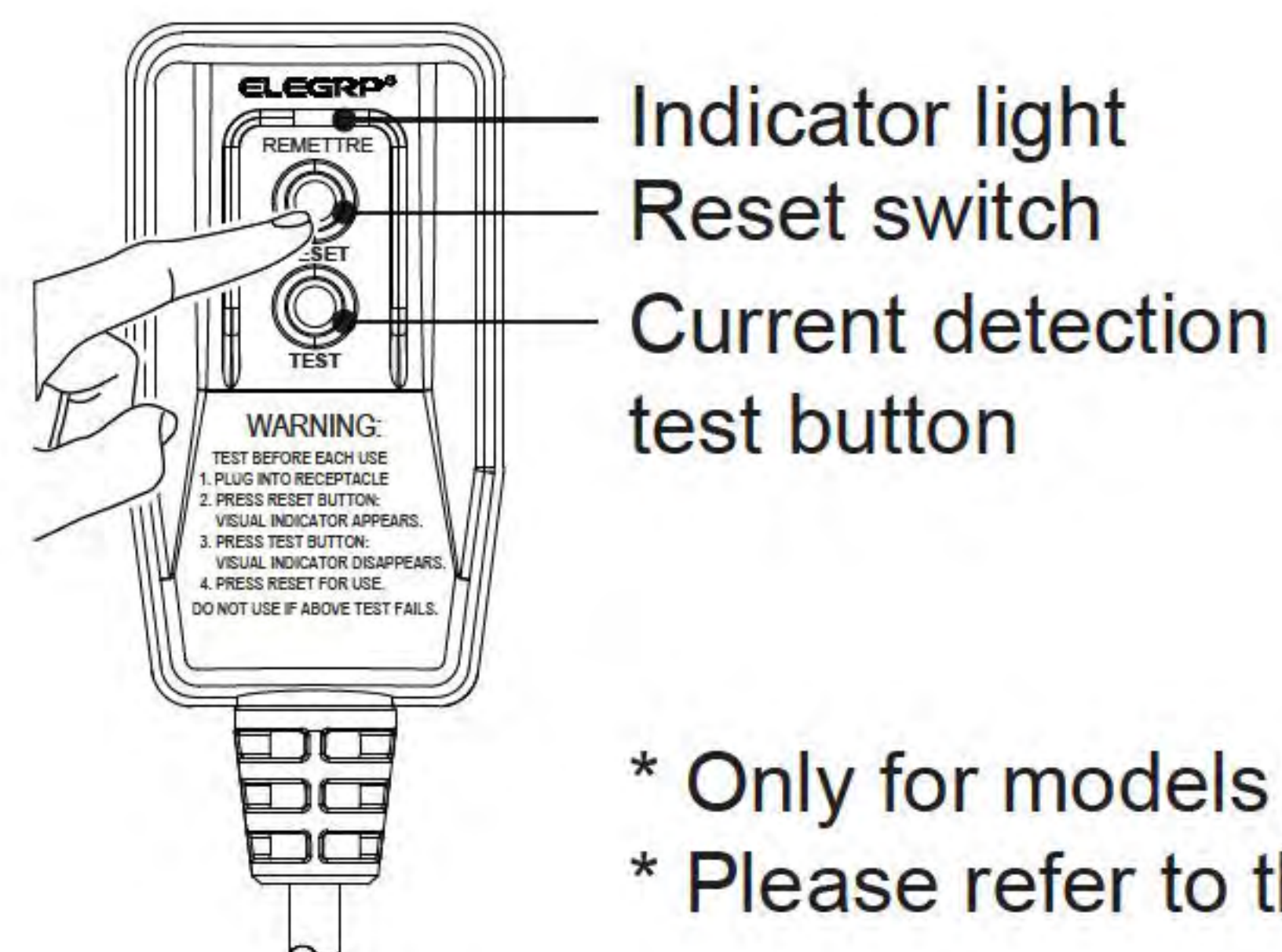
1. Turn on the angle valve _____

Check thread connection,make sure no leakage is found.



2. Switch the power supply _____

Insert the leakage protection plug into a power socket, press the reset switch, plug indicator lights up, indicating that the power is on.

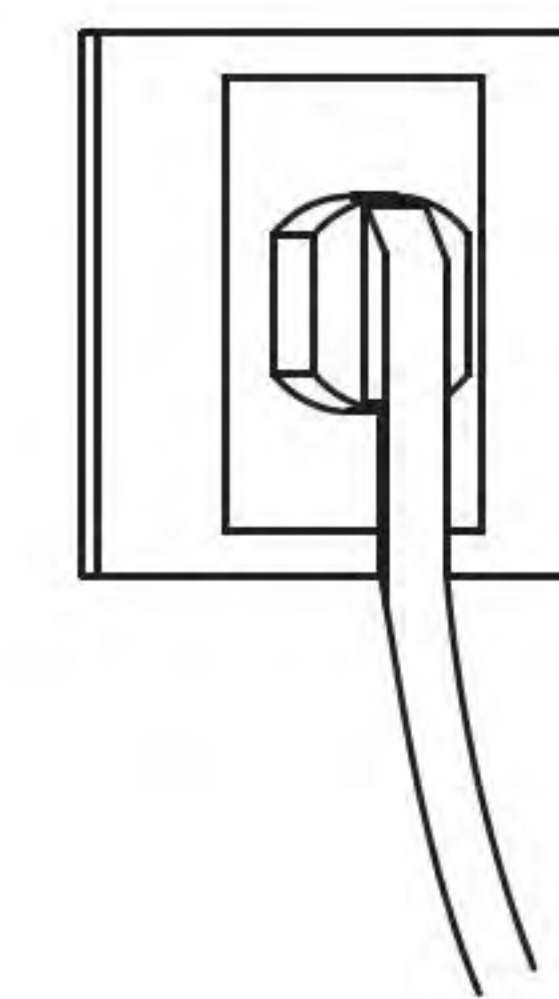


CASE 1

- * Only for models with leakage protection plug.
- * Please refer to the actual product.

NOTE:

Press the test button prior to usage, the reset switch pops up indicating that the leakage protection function is normal. Press the TEST button (then RESET button) every month to assure proper operation.



CASE 2

NOTE:

If it's not an electric leakage protection plug, insert power plug into power socket directly.

3. Self-inspection _____

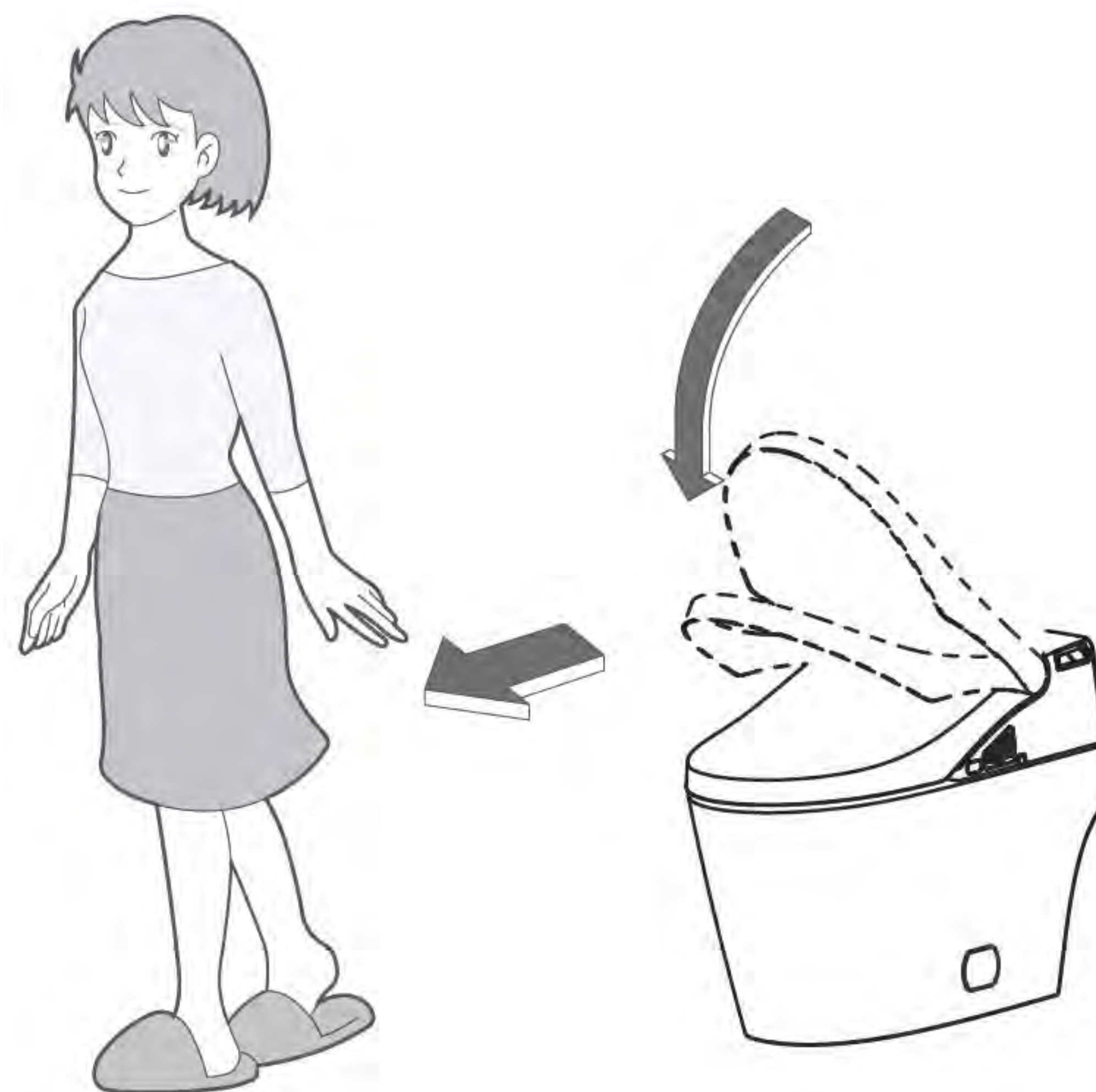
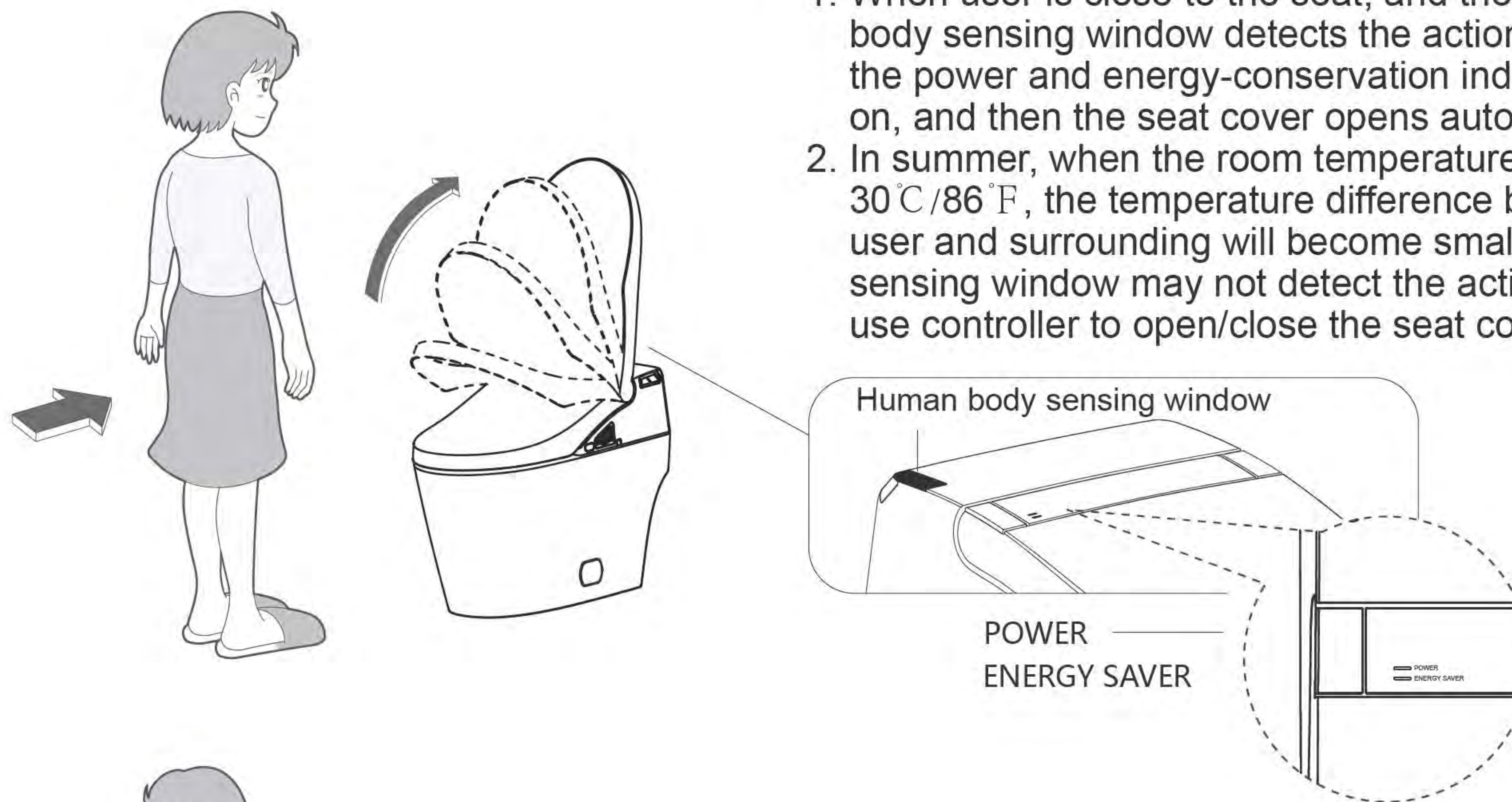
1. The main unit buzzer rings first "click", power indicator (POWER) and Energy-conservation indicator (ENERGY SAVER) flash. Power indicator lights on and Energy-conservation indicator gets off to start self-inspection. The main unit buzzer rings second "click" to indicate finish of self-inspection, power indicator lights on, and Energy-conservation indicator keeps off.
2. Start function mode for normal usage.

Auto lid open/close

If you purchase the intelligent toilet with auto lid open/close function, the product can achieve the function of auto lid open/close. The factory default of this function is on closed situation, so please start the auto lid open/close function by using remote controller.

1. When user close to the toilet

1. When user is close to the seat, and the human body sensing window detects the action of user, the power and energy-conservation indicator lights on, and then the seat cover opens automatically.
2. In summer, when the room temperature is above 30°C/86°F, the temperature difference between user and surrounding will become smaller, so the sensing window may not detect the action, please use controller to open/close the seat cover.



2. Using toilet

The seat cover closes automatically 60 seconds later after user leaves.



3. When men stand to use toilet

1. Open the seat by remote controller or hand.
2. The lid and seat will be closed 60 seconds later after user leaves.

Daily maintenance

Main unit care and maintenance

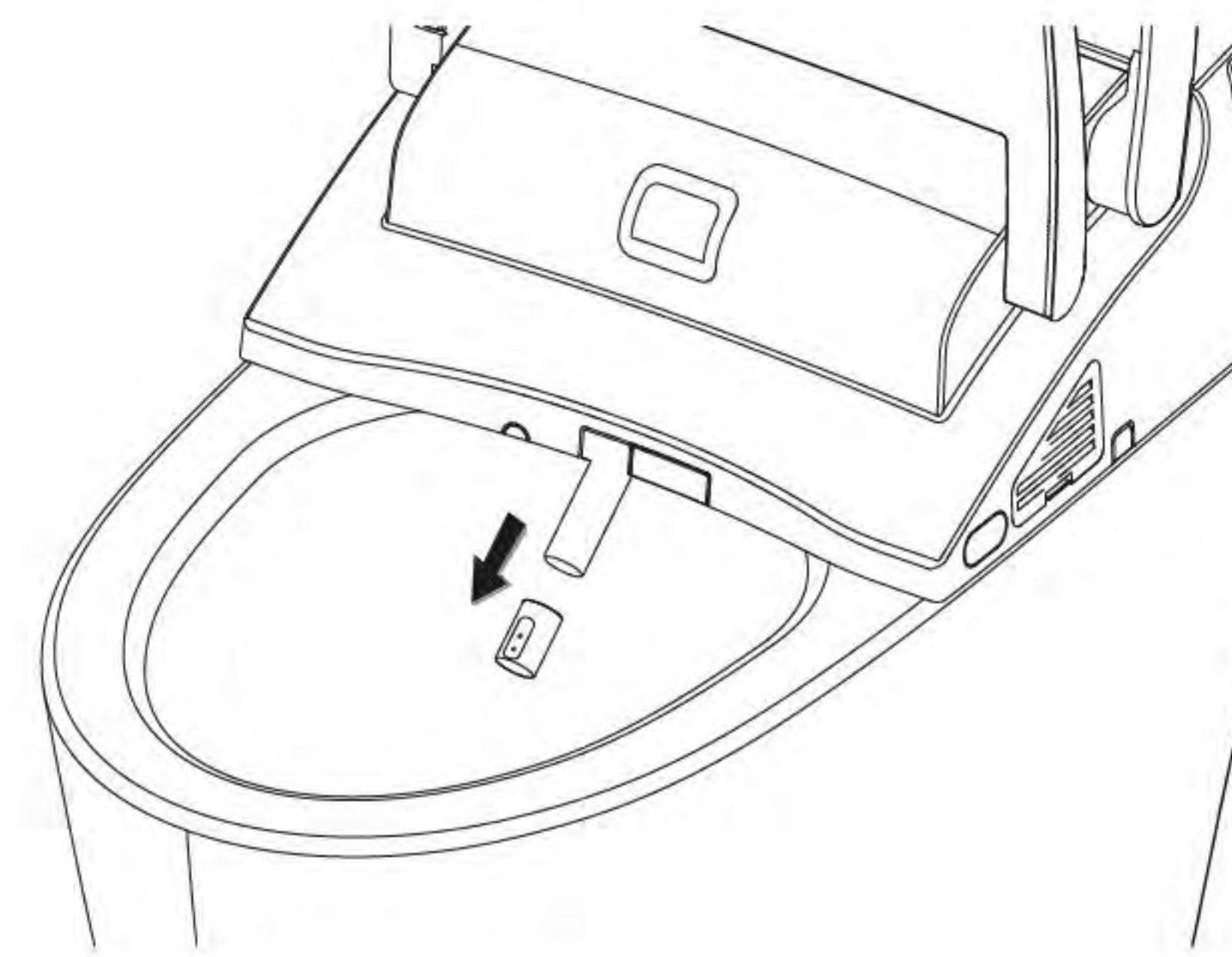
1. Shut off power supply at maintenance.
2. Turn the seat upward open, press down the button located on the right side of main unit and pull out the seat. Wipe the stain with a soft damp cloth.



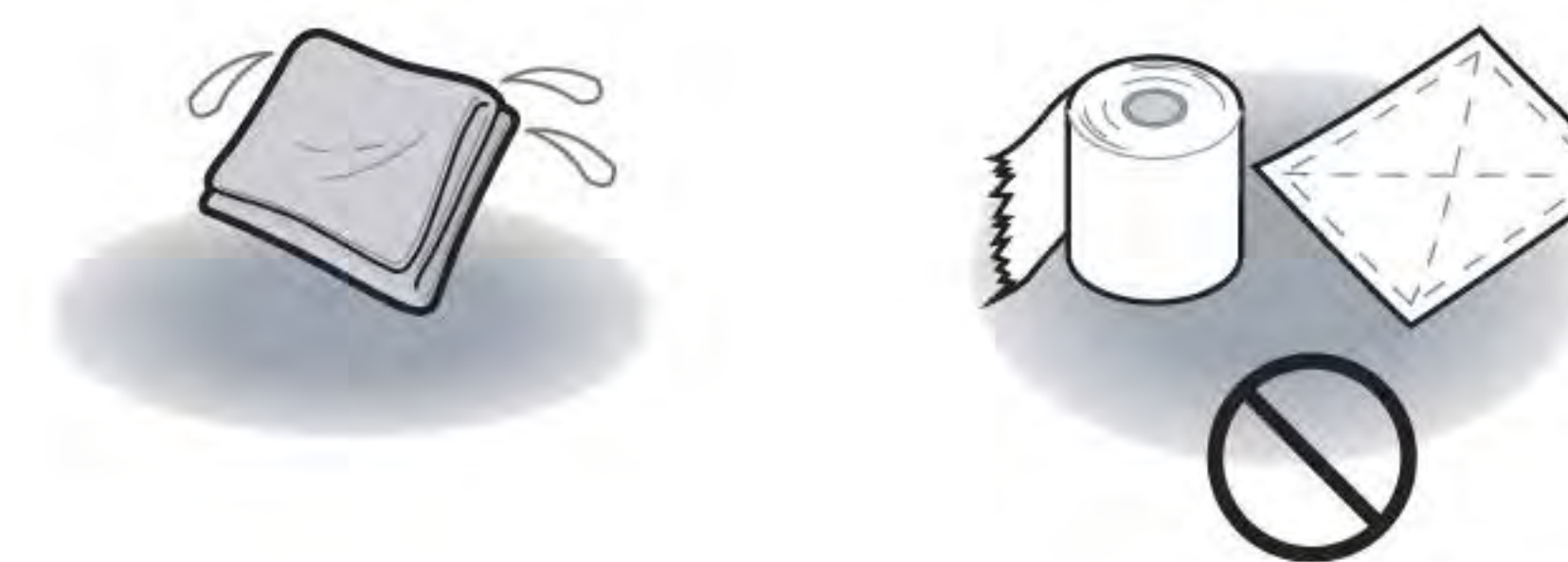
3. Safety self- inspection
After cleaning, re-connect the toilet with the power supply.

Spray nozzle maintenance and care

1. Nozzle self-cleaning
Press "nozzle cleaning" button and nozzle will move forward and self-clean.
2. Spray nozzle disassemble
When the wand moves forward, the nozzle can be disassembled to clean.



3. Use soft cloth or soft brush to clean
Do not pull or push the wand, to avoid damage.



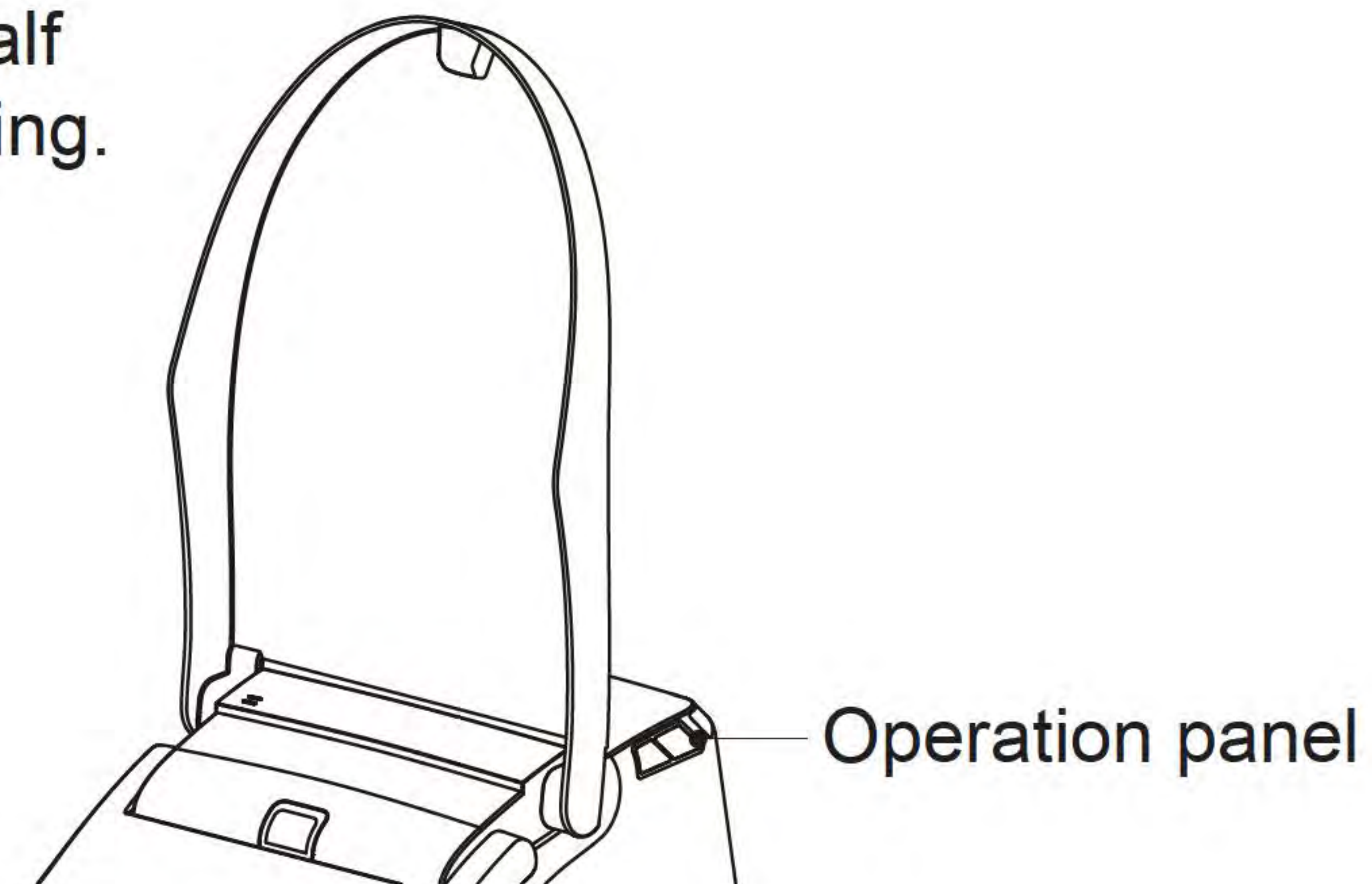
4. Nozzle assembly
Re-install the nozzle to the wand and press "nozzle cleaning" button, then the nozzle will move back to the original position.

Emergency Troubleshooting

Electricity and water supply cut-off

1. Power failure

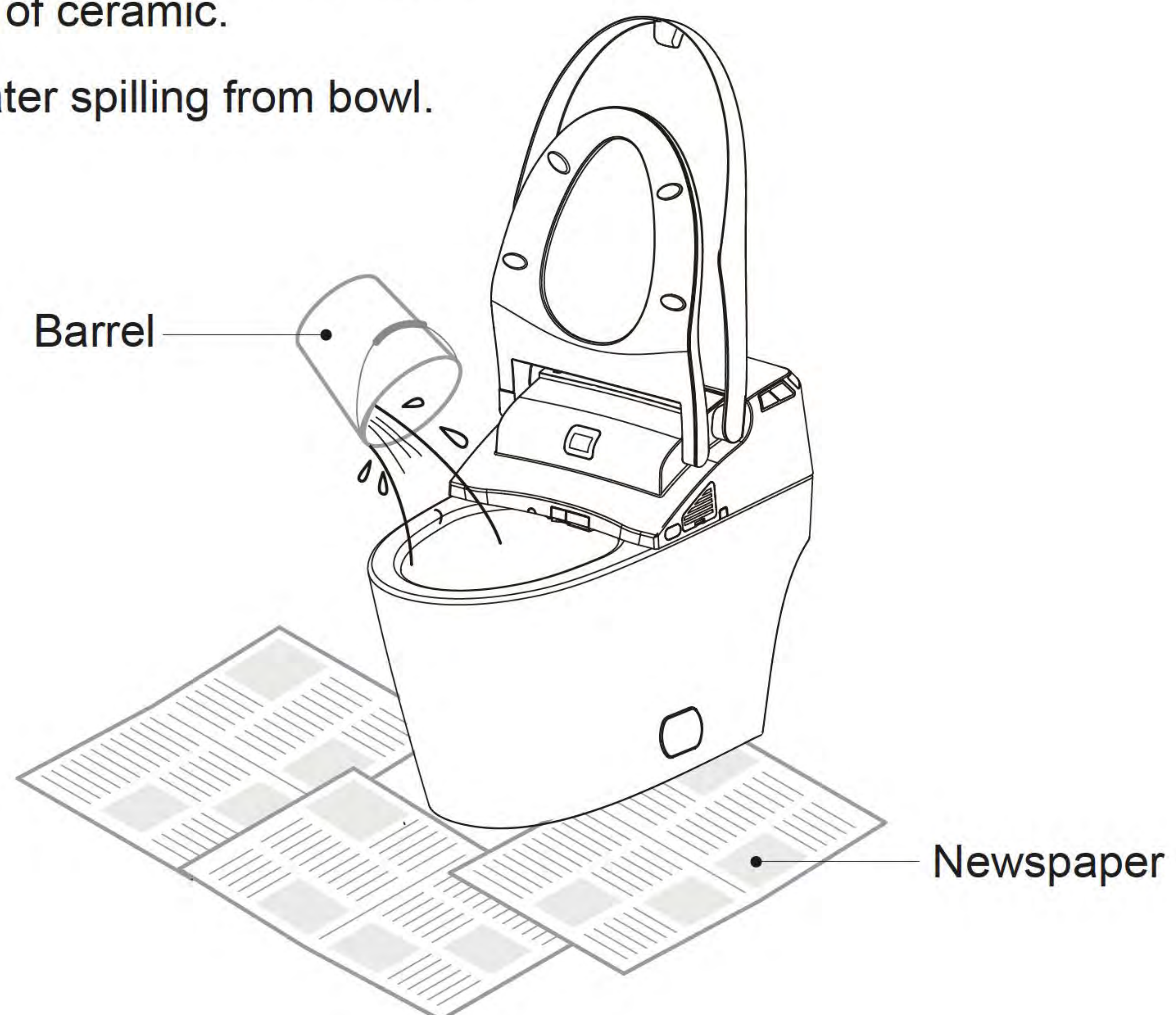
- Manually press button of full/half flush to perform the toilet flushing.



2. Water failure

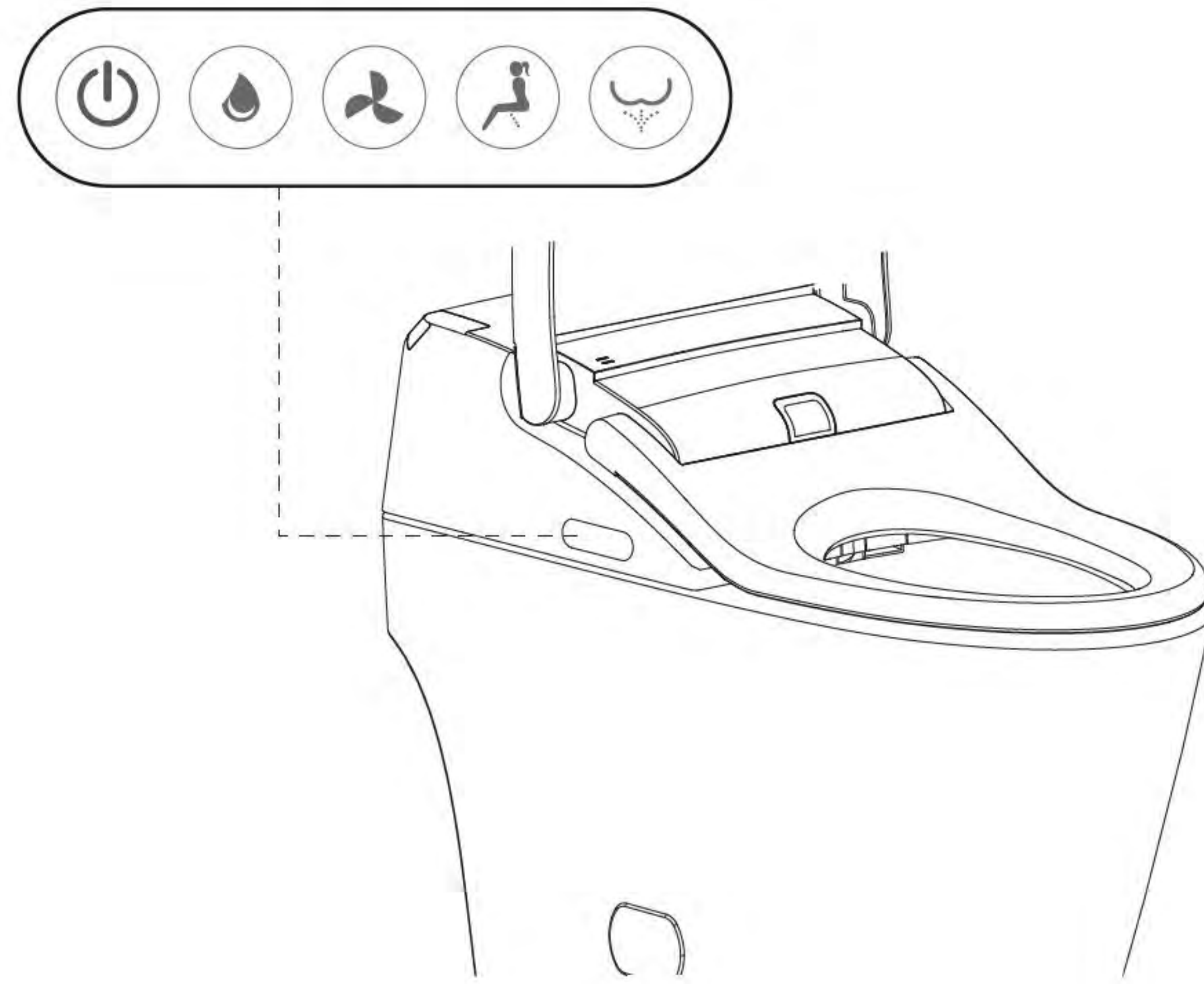
- Put around 8L water into a barrel and flush the bowl of ceramic.

Note: Avoid water spilling from bowl.



Failure of remote control

1. Operate the panels on ebidet seat to perform.



2. Battery replacement

- Press the “power” button on panel and electricity indicator will turn off.
- Take remote control from hanger.
- Open battery cover to replace battery and put back to hanger.
- Press the “power” button again and electricity indicator will turn on.

Remarks: When replacing the battery, the automatic function and timing function will be cancelled and need to be reset.

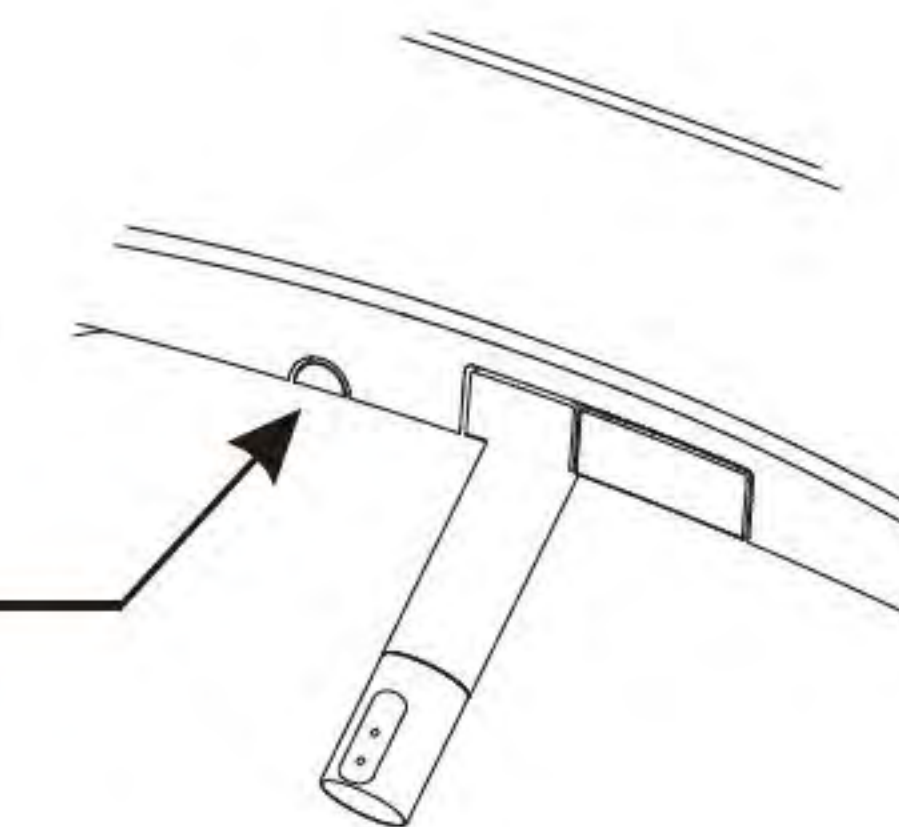
When the product is left unused for long time

- Especially in winter season, the water inside the tank should be discharged to avoid freezing.

To discharge water

1. Turn off the water supply angle valve
2. Cut off the electricity
3. Discharge water

- Slightly press inward the discharging button to discharge water.



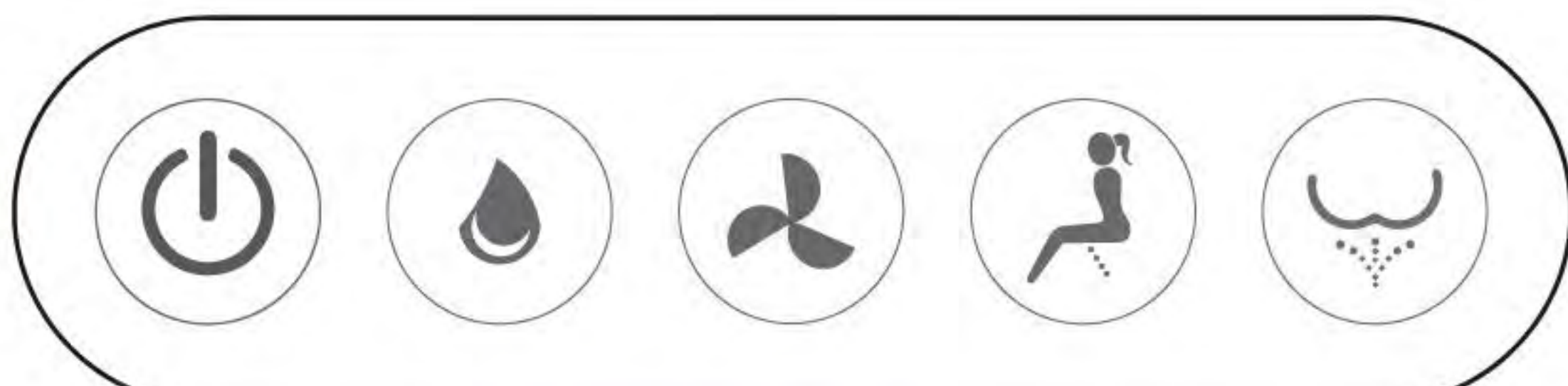





4. Handle the remaining water in bowl

- It is suggested to put some antifreeze into water inside the bowl.



Note: Before water discharging, the power must be cut off!


The illustration of main unit keys

		
	Power	<ol style="list-style-type: none"> 1. Long press "power" button to enter standby mode; and then quick press "power" button to restore functional mode. 2. When people sit, press "power" button to stop the function of rear, front cleaning or drying. When no one sits, press "power" button to switch between function mode and power save mode.
	Flush	Press "flush" button to activate full flushing.
	Dry	Press "dry" button, warm wind will come out. After a circle or user leaves the seat, it will automatically stop.
	Front	When the user sits on the seat, presses "front" button on main unit, water will come out to activate front cleansing; if the user presses "stop" button on remote control or "power" button on main unit halfway, it will immediately stop front cleansing function; Front cleansing will automatically stop after one cycle, if the user keeps sitting, it will automatically start drying function and stops automatically after one cycle of drying;
	Rear	<ol style="list-style-type: none"> 1. When the user sits on the seat, presses "rear" button on main unit, water will come out to activate rear cleansing; if the user presses "stop" button on remote control or "power" button on main unit halfway, it will immediately stop rear cleansing function; Rear cleaning will automatically stop after one cycle, if the user keeps sitting, it will automatically start drying function and stops automatically after one cycle of drying; 2. When no one sits on the seat, presses "rear" button, wand will stretch out and can be cleaned manually.

Remark:

1. When main unit is in functional mode, the light of Power goes on; When in energy save function, the light of Power goes off, and energy saver lights on; When in standby mode, both lights are off.
2. The default setting of all function is on middle level, after using controller, shift to the level setted last time.

Troubleshooting Guide

Problem	Cause	Solution
No flushing	Water supply hose buckling causes block	Solve the buckling
	Fill valve is off	Turn on the fill valve
	Water supply is cut off	Connect water supply and wait for the water
Poor flushing	Water supply hose buckling causes partial block	Solve the buckling
	Fill valve is not fully turned on	Turn on the fill valve fully
	Filter is dirty and causes block	Clean the filter
The water is not hot	The water temperature is setted on normal temperature level	Reset the water temperature
Seat temperature is not hot	The seat temperature is setted on normal temperature level	Reset the seat temperature
	In standby mode	Shift to function mode for 3 minutes
Wind temperature is not hot	The wind temperature is setted on normal temperature level	Reset the wind temperature
No wind out	In standby mode or power save mode	Shift to function mode to use dry function
Spray wand cannot retracted	Power off	Push back the wand lightly and wait for the power
	Get stuck by impurities	Clear away the impurities
Spray wand cannot stretch out	Power off	Push back the wand lightly and wait for the power
	Do not sit in sensing area	Sit right in the sensing area
Controller cannot display	Reverse the polarity of battery	Reload the battery
Malfunction of deodorization	User doesn't reach the sensing area in seat	Adjust to reach the sensing area
	Deodorization functio keeps working after user leaves	It's a normal phenomenon if deodorization function keeps working after user leaves to ensure eliminating smell entirely
 Caution	If the problems cannot be solved as per above methods, please shut-off the power, and contact service providers for maintenance.	
	If the leakage circuit breacker often trips off, it means the products has electricity leakage, so please shut-off the power, and contact service provider for maintenance.	

Product Limited Warranty

Model No.		Customer Name	
Seller:		Purchasing Date:	
Invoice No.		Customer contact:	
Distributor Stamp		Distributor Phone	

Thank you for choosing our product. This product is warranted for three (3) years since the purchasing date for free repair of problems arising out of defects in workmanship while using in accordance with installation manual and usage cautions for intended purposes.

If the product does not work properly with warranty period, please contact your nearest service center. This certificate must be presented to obtain free service under this warranty.

Our company reserves the rights to replace the product by other similar models.

We can serve to fix or repair the product at a reasonable service charge, after expiration of warranty period.

Service charges shall be paid even during the warranty period, if breakage or damage is caused by any of the following events (including but without limitation).

1. The user's negligence or mistake in operation, unreasonable repair or alteration.
2. Product are damaged by negligence or mistake during installation.
3. The movement of installation location of the product.
4. Using the product outside of intended use in residential housing or commercial hotels.
5. The use of non specified power supply (voltage, rating pressure)
6. The dirt, sand and impurities that causing invalid operation.
7. Damages due to force majeure (including but not limitation to natural disaster) or other incidents.
8. The user fails to use in compliance with the warning or caution described in the installation manual.

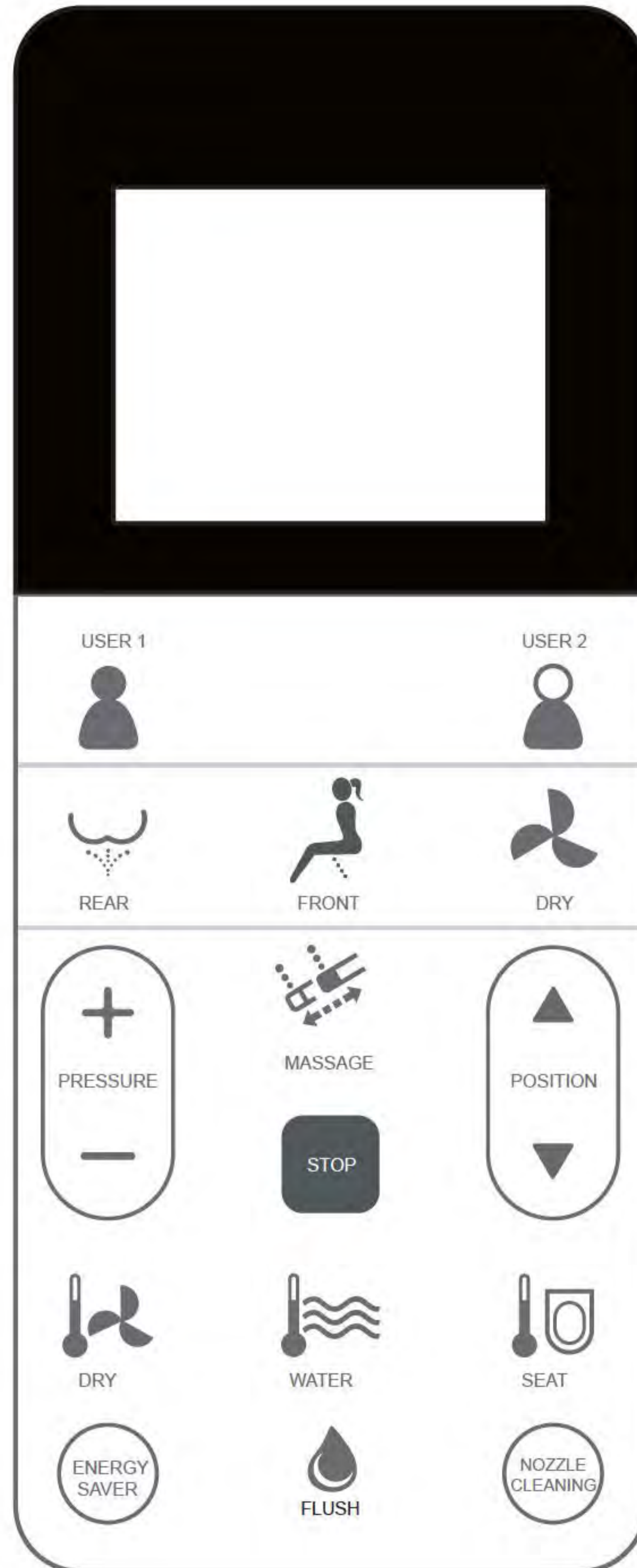
Remark.

Please fill in date, seller correctly. If there are some mistakes, the warranty will get invalid.

This three year warranty for free of charge of repair service is only for the items listed in the warranty.

The purchasing date is subject to the purchasing invoice or receipt.

Please keep this warranty and invoice/receipt available for repair or maintenance.



Remote Control Illustration

Thank you for choosing our product. Please read the instructions carefully before installation and keep it available for future maintenance or reference.

Content

Installation preparation

01.Remote control installation	01
--------------------------------	----

Usage Instruction

01.Remote control illustration	02
02.Rear/Front cleaning operation	03
03.Dry operation	03
04.Massage operation	04
05.Spray nozzle position adjustment	04
06.Water pressure adjustment	04
07.Energy saver	05
08.Full flush	06
09.Nozzle cleaning	06
10.Automatic deodorization	06
11.Temperature adjustment	07
12.User code	08
13.Open/close by remote controller	08
14.Auto function	09
15.Combination button	10

Automatic function setting

01.Setting rear cleaning	11
02.Setting front cleaning	12
03.Setting rear/front cleaning	13

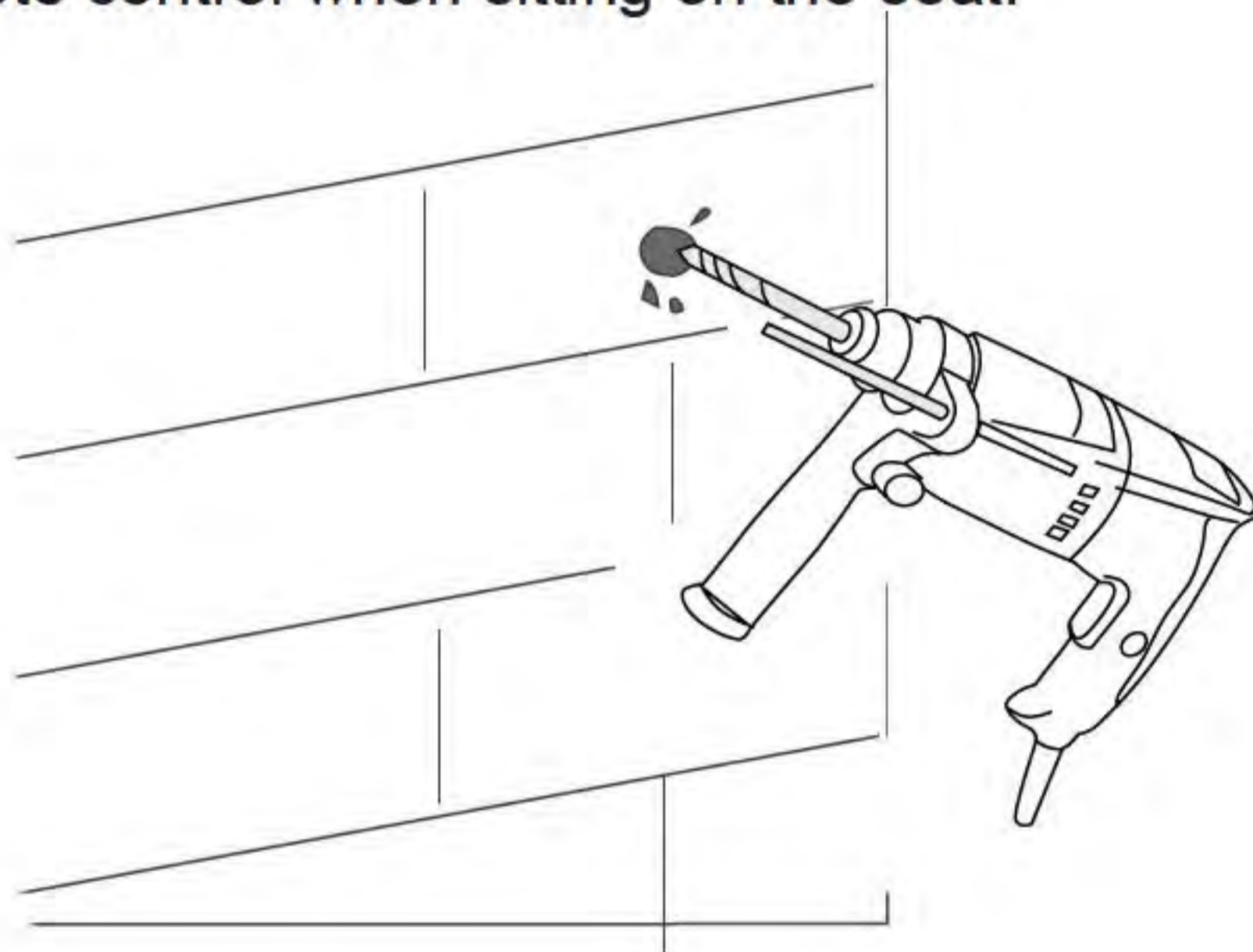
Installation Preparation

Remote control installation

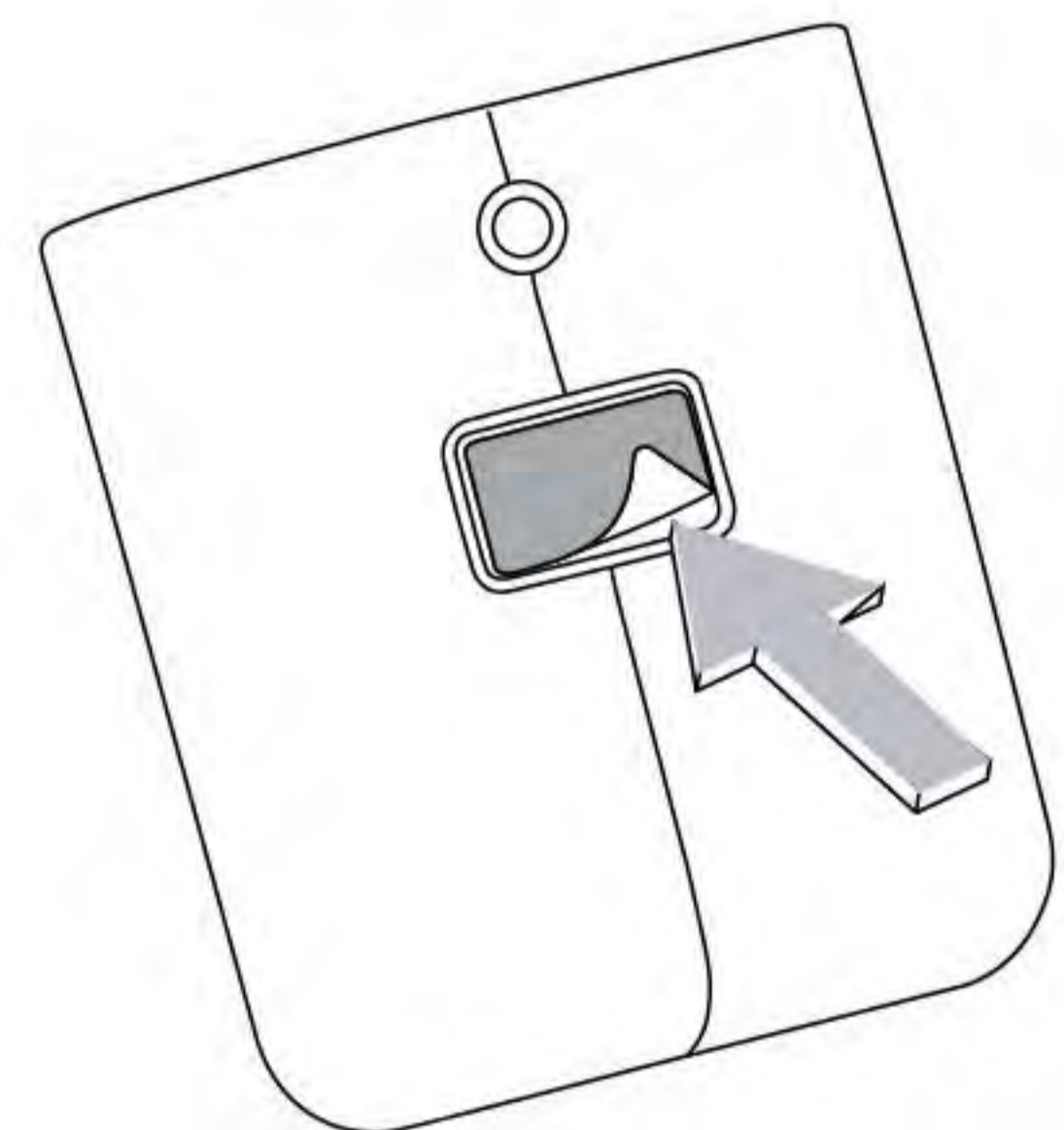
Remote control hanger installation

- (1) Drill a hole of $\phi 6\text{mm}$ on the wall with depth of 35mm.

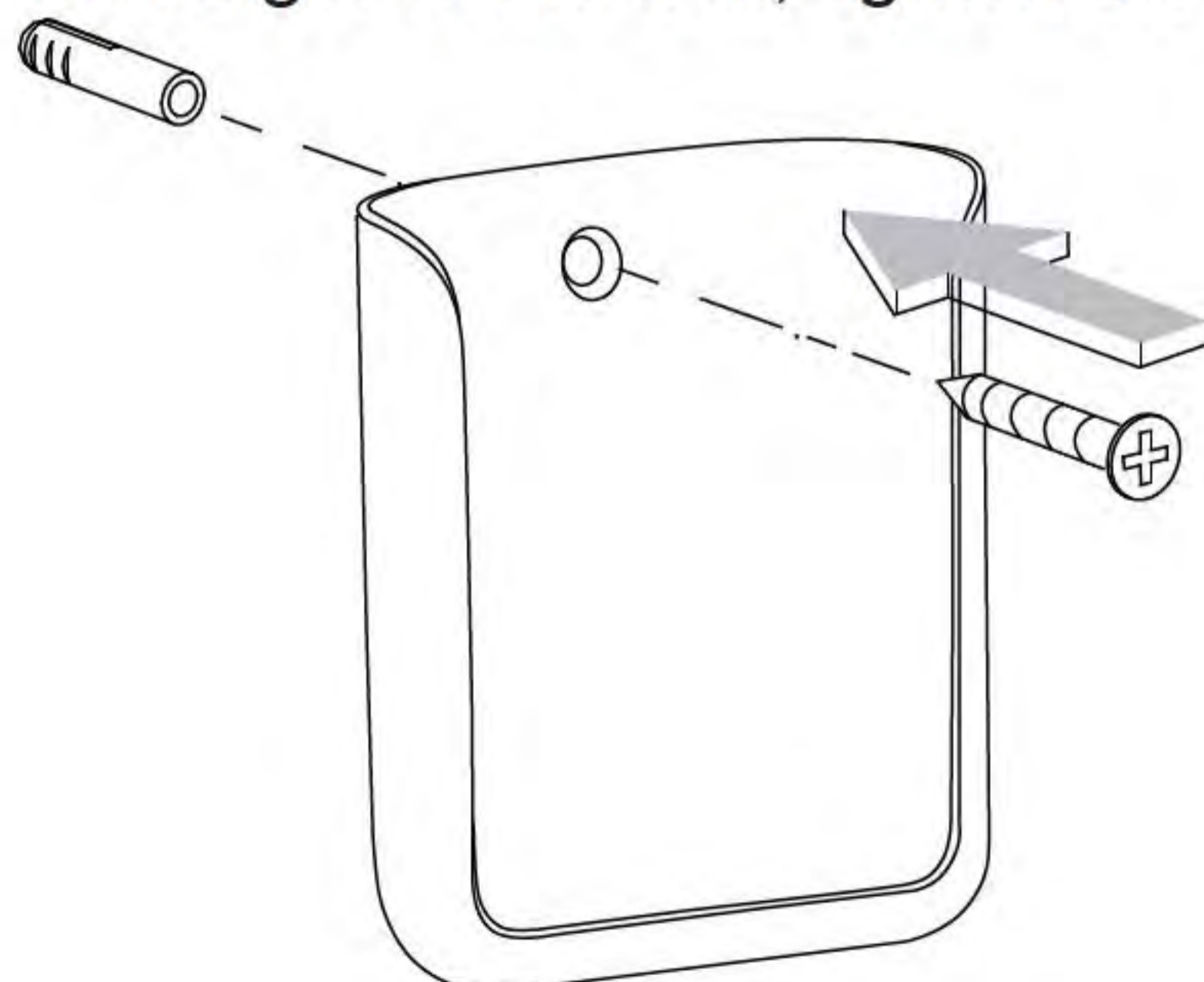
Make sure end-user be able to reach the remote control when sitting on the seat.



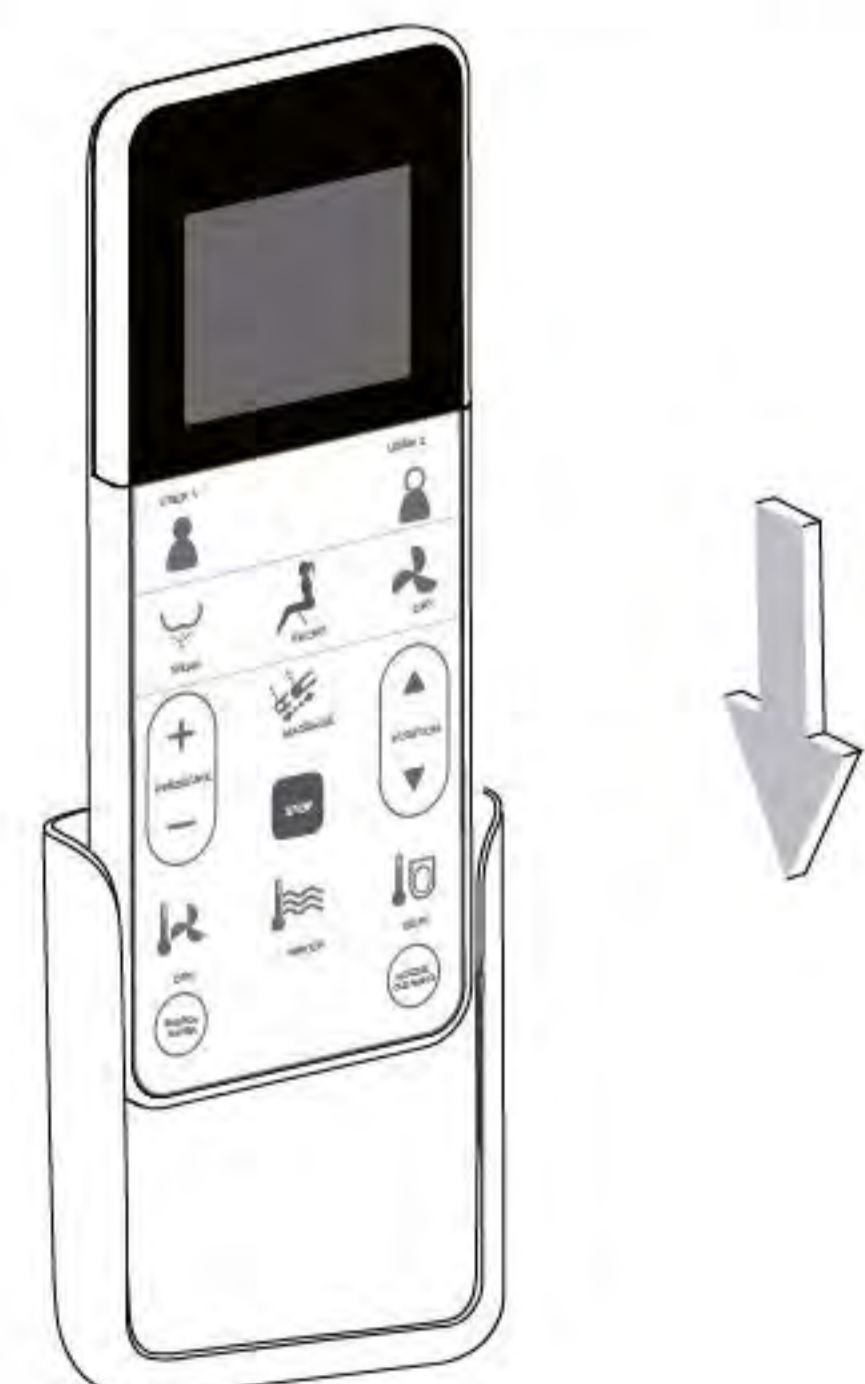
- (2) Tear the paster on back of hanger.



- (3) Insert expansion tube into the hole on the wall, install the hanger to the wall with a screw, and paste the double faced adhesive tape on hanger to the wall, tighten the screw.



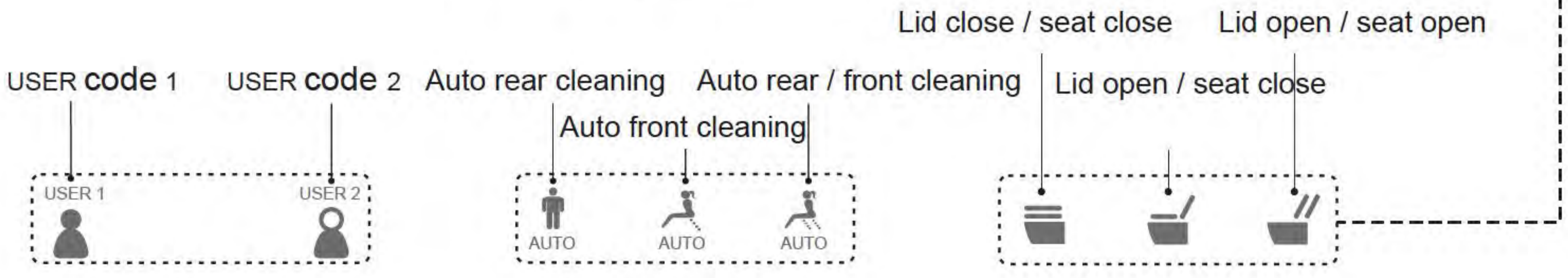
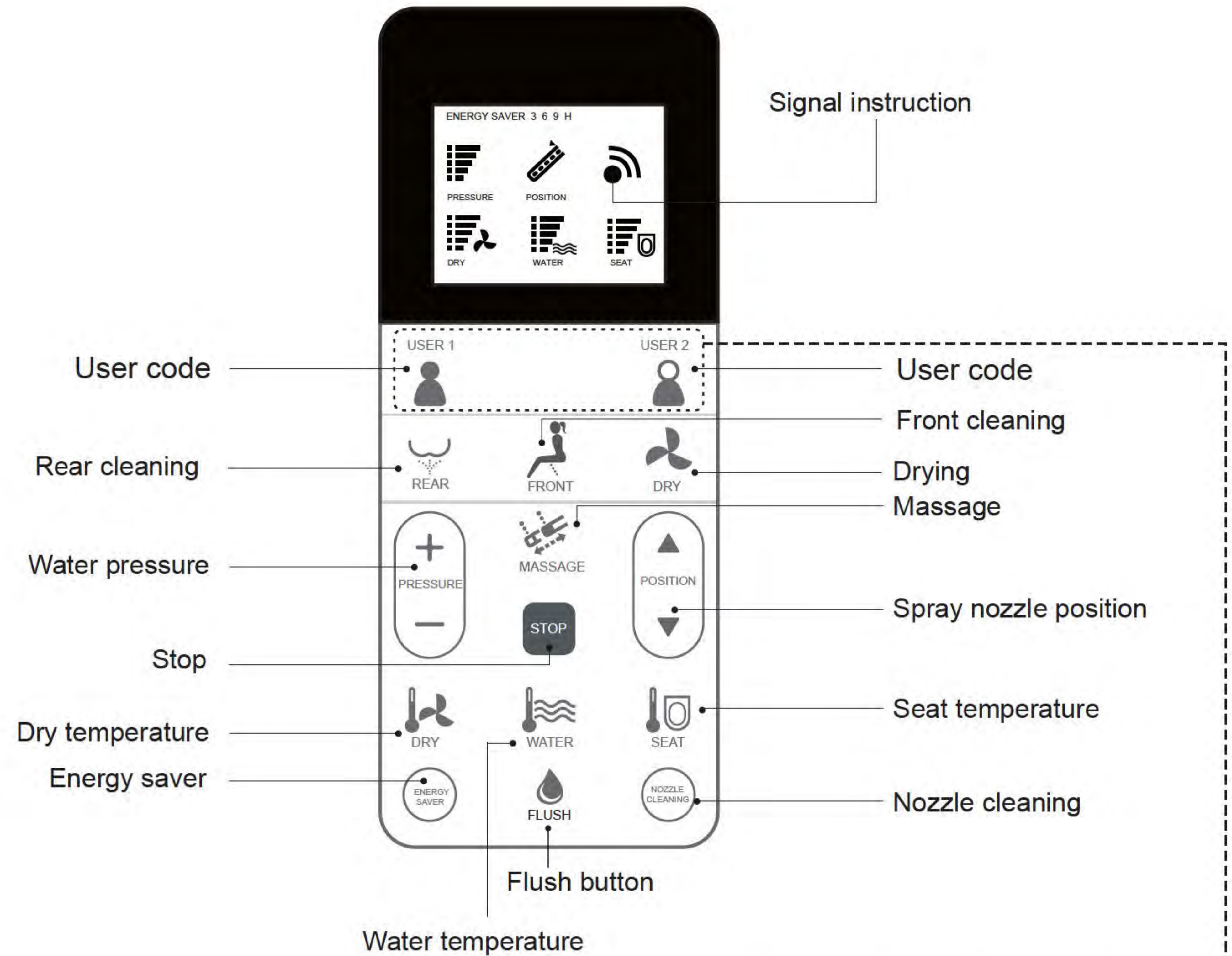
- (4) Install battery and place remote control to the hanger.



Notice : Please do not install and use the product in moist place, such as steam room, and prohibit to place in the space where is easily got wet.

Usage Instruction

Remote control illustration



Picture 1
Please refer to page 8 for operation method

Picture 2
Please refer to page 9 and 11 for operation method

Picture 3
Please refer to page 8 for operation method

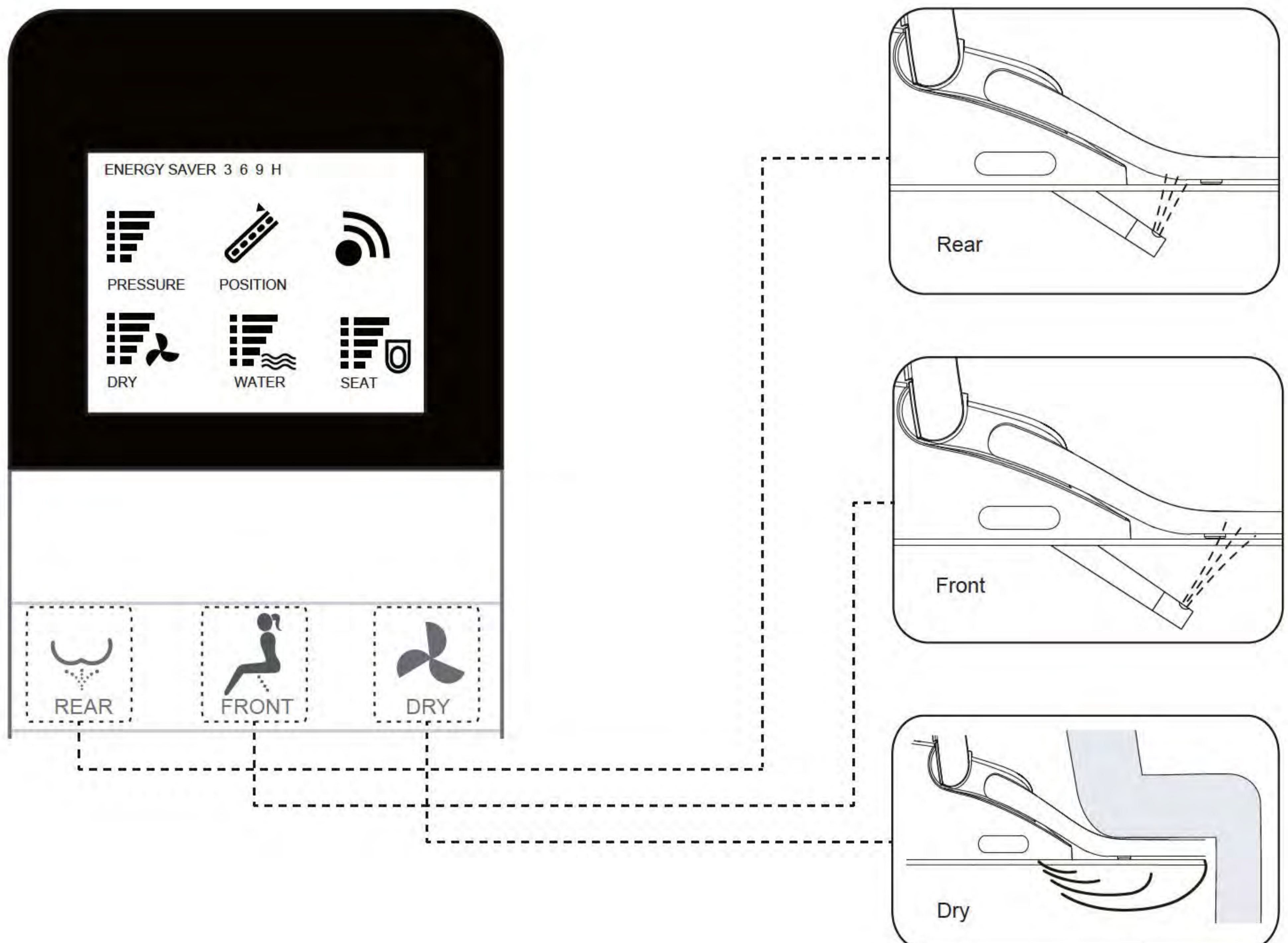
Usage Instruction

Rear/Front cleaning

Press “REAR”/“FRONT ” button, the water comes out of wand to clean the rear/front portion of body. It automatically stops after a cycle of cleaning. If press “STOP” button when using, the function will stop immediately.

Drying Operation

Press “DRY” button, warm wind comes out of wand to dry. After a cycle or user leaves the seat, it automatically stops.



Usage Instruction

Massage

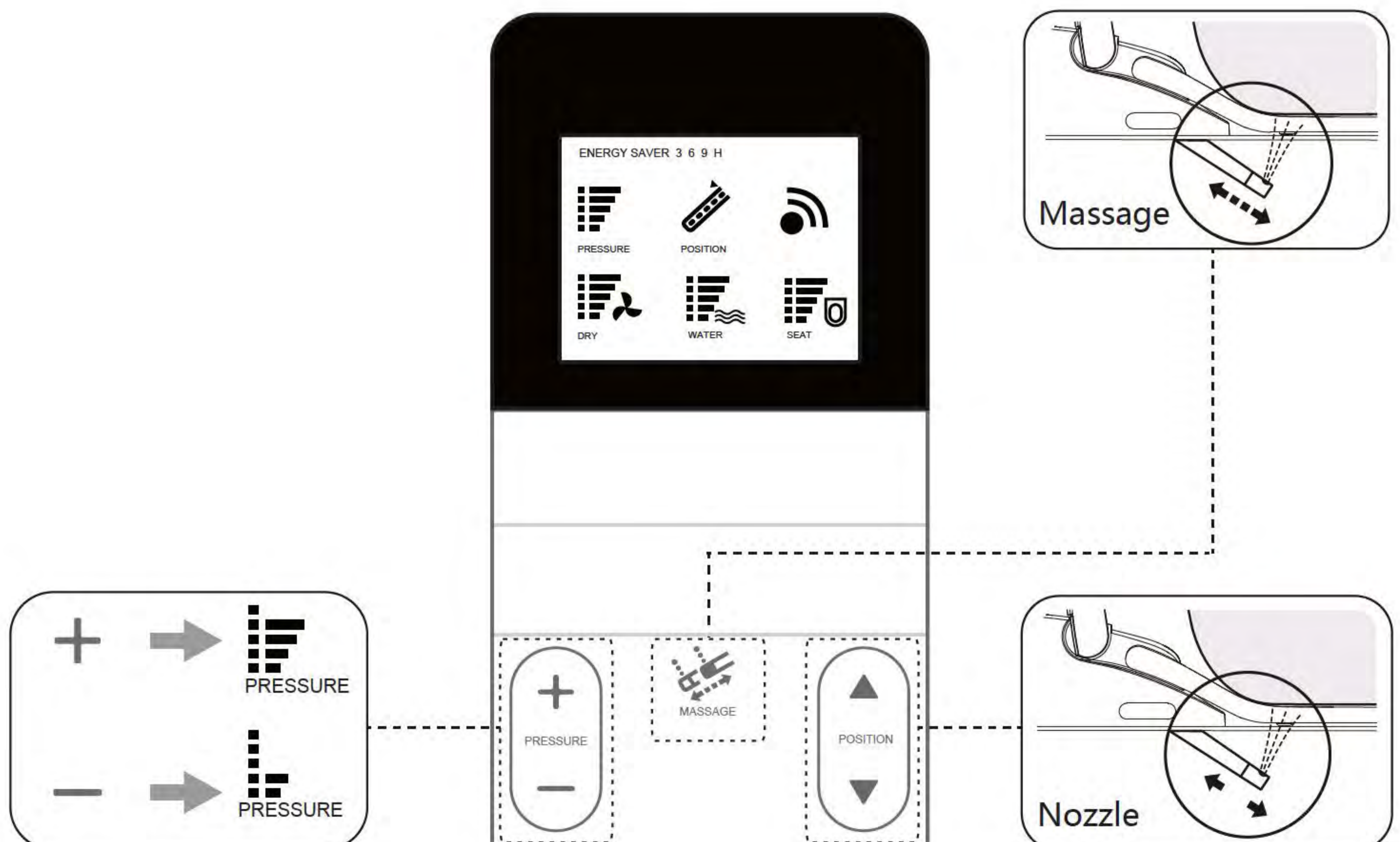
Press “MASSAGE” button to activate massage function, the nozzle moves forward and back to extend the cleaning scope; Press “MASSAGE” button again to stop the function.

Spray nozzle position adjustment

During “REAR” or “FRONT”, press spray nozzle button of “◀” and “▶”, to move the position forward and backward by adjusting 5 levels.

Water pressure adjustment

During “REAR” or “FRONT”, press water pressure button of “+” and “-”, to adjust pressure for rear and front cleaning.



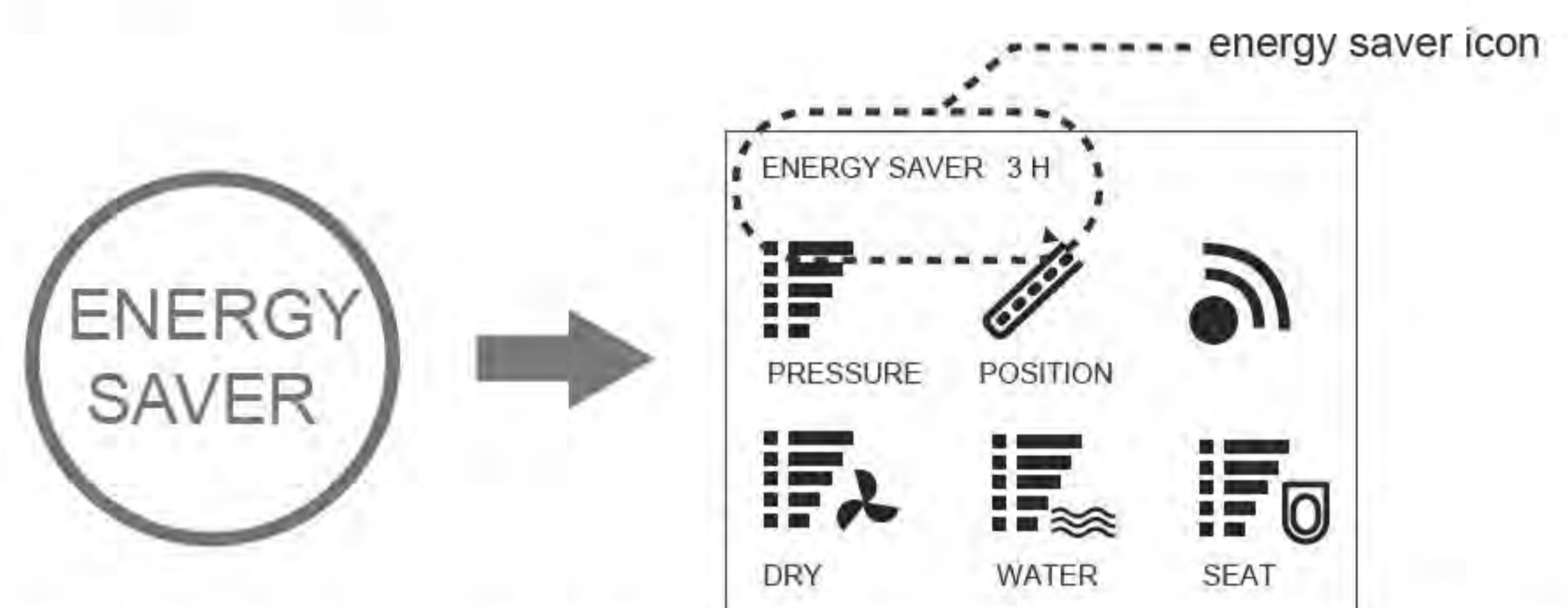
Usage Instruction

Energy saver

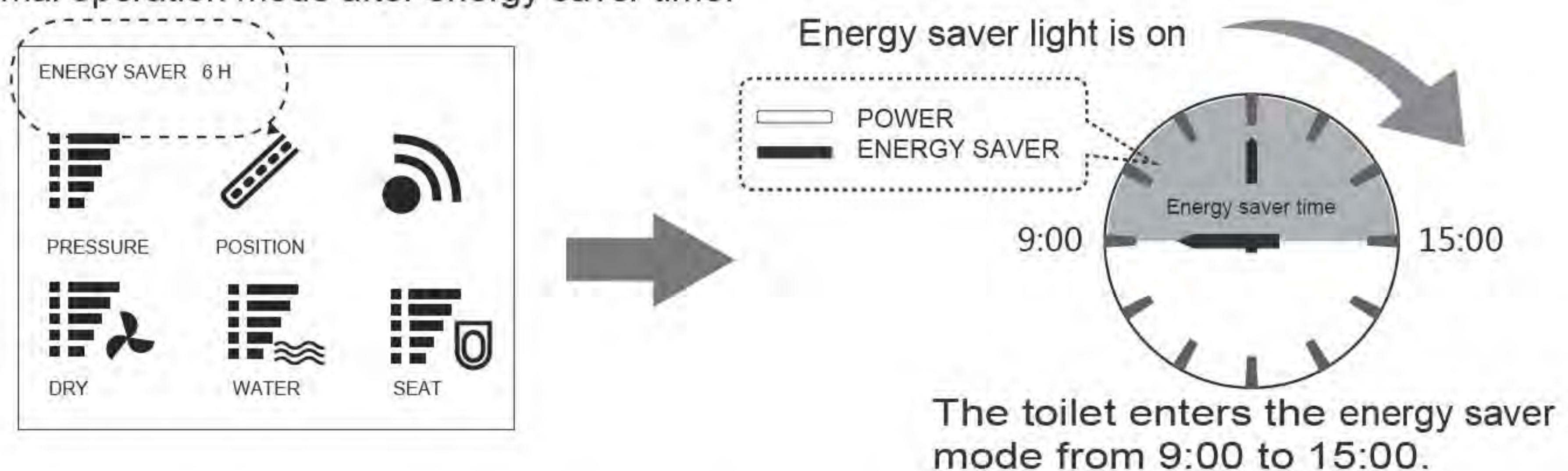
Setting energy saver time

Press “ENERGY SAVER” button, LCD screen shows energy saver and figures. It shows three options of energy saver period as 3-6-9-off, which can be selected accordingly. For example, user can set from 9:00 to 15:00 as energy saver according to following operation.

(1) Press “ENERGY SAVER” button, LCD screen shows “ENERGY SAVER” icon.



(2) Press “ENERGY SAVER” button again, LCD screen shows figure “6”, and the “ENERGY SAVER” icon disappear after 3 seconds, the setting succeeds. The toilet enters the energy saver mode from 9:00 to 15:00 every day. During this period, power light is off, and the energy saver light is on. It goes back to normal operation mode after energy saver time.



(3) Cancel energy saver set: Press “ENERGY SAVER” button continuously until this function is cancelled. (Nothing display on the screen.)

Energy saver:

The toilet will be under energy saver mode automatically after setting. Under energy saver mode, seat temperature is on low temperature status (first level) to achieve energy saver.

Notice:

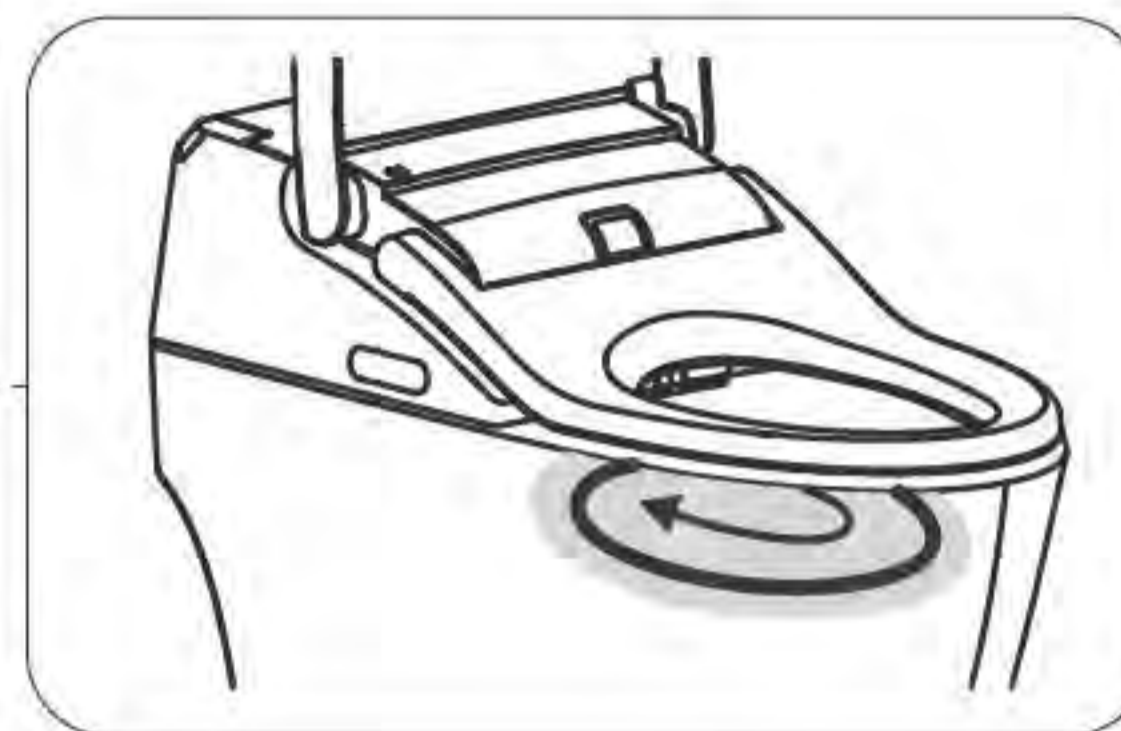
If user sits on the seat, the energy saver mode is paused, and enters into the function mode, the seat starts to heat immediately (under opening seat temperature circumstance). The energy saver mode restores after user leaves.

When the energy saver mode is set, the icon disappears automatically, which is normal set.

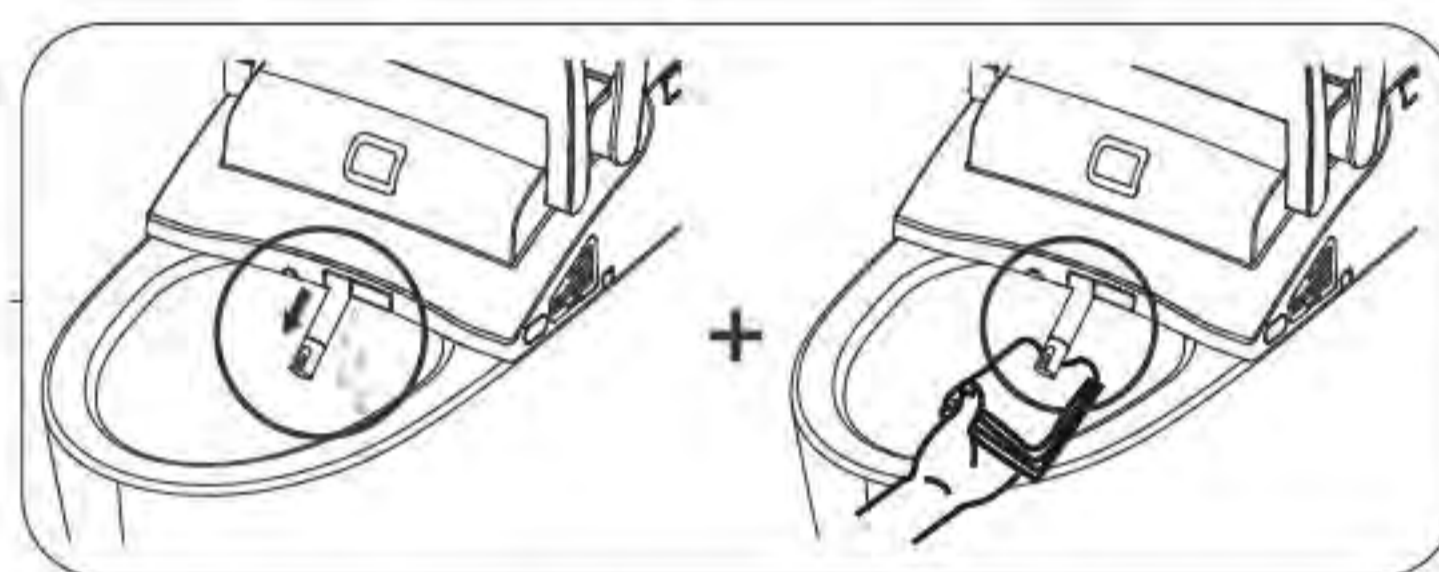
Usage Instruction

Full flush (Only for the toilet with auto flush function)

Press “FLUSH” button to activate full flushing.

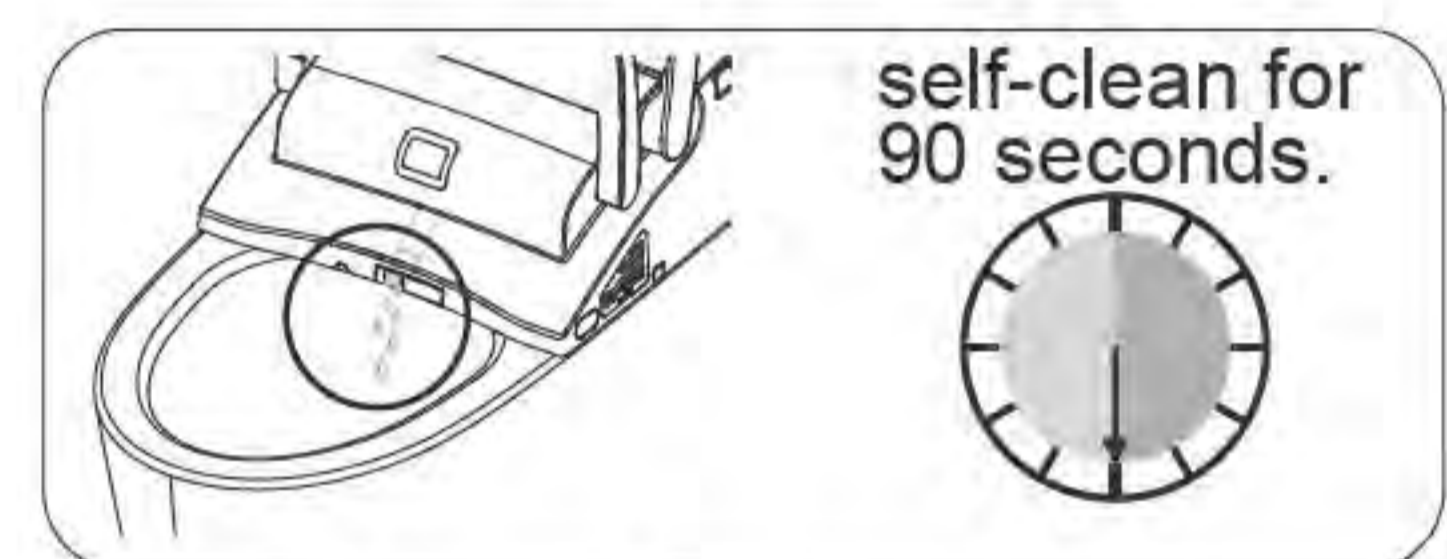


Nozzle cleaning



Nozzle self-cleaning by quick press :

Quick press “NOZZLE CLEANING” button, the nozzle self-cleans for a while and move to the front position (no spray). People can continue to clean nozzle manually.



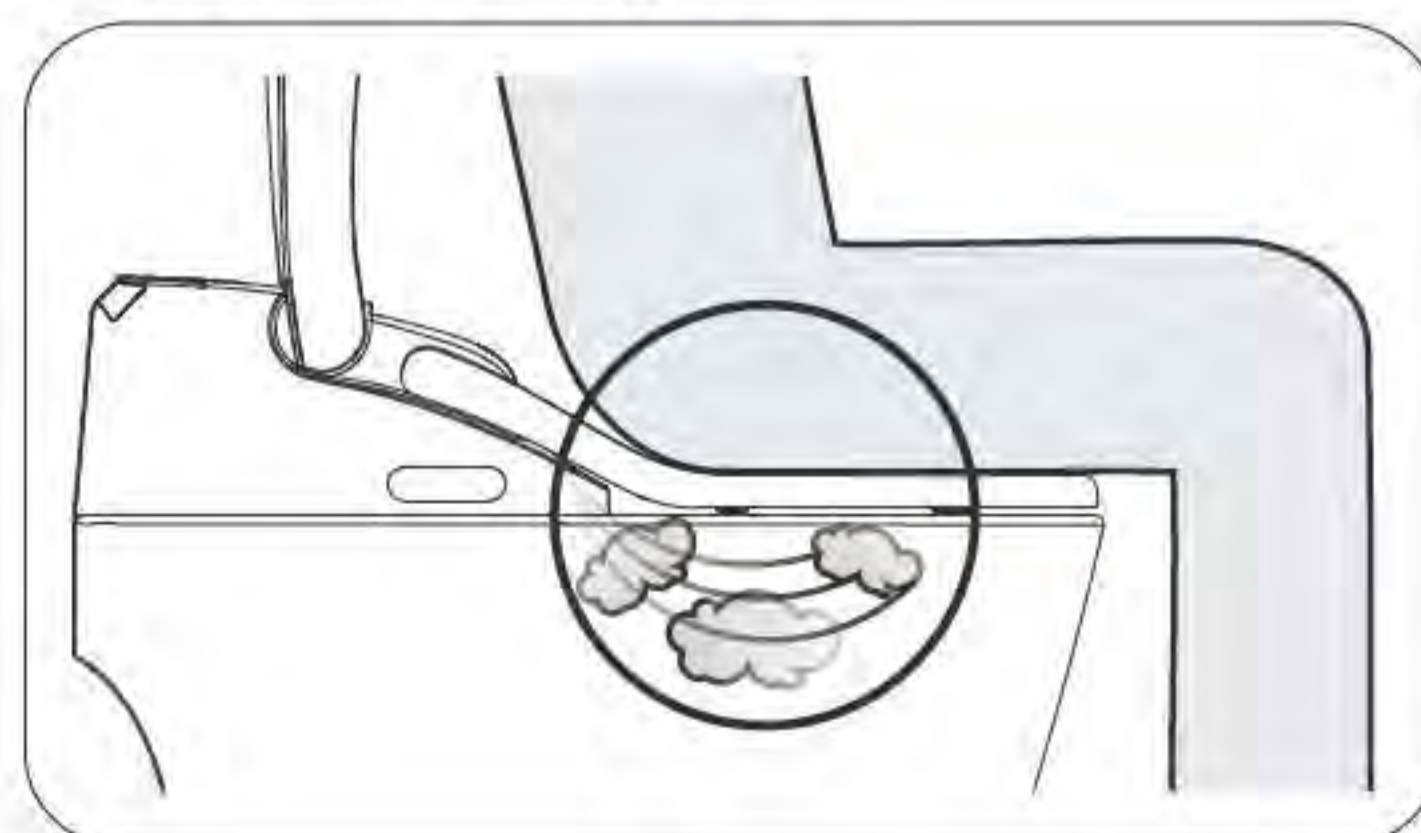
Nozzle self-cleaning by long press :

Long press “NOZZLE CLEANING” button, the spray won't move forward and nozzle self-cleans for 90 seconds.

Automatic deodorization (Only for the toilet with auto deodorization function)

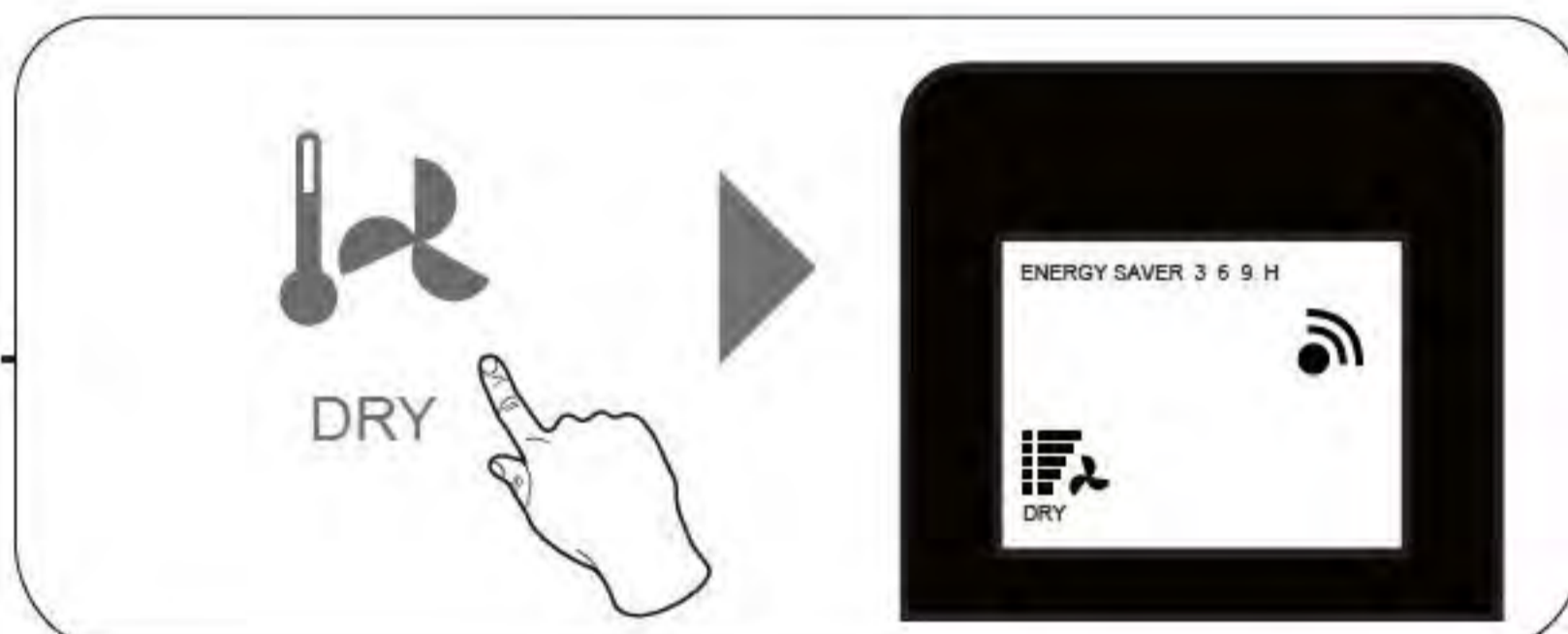
Remark:

The deodorization function starts to work automatically as the user sits on the seat and stops automatically 3 seconds after the user leaves the seat. When drying, the function of automatic deodorization stops.



Usage Instruction

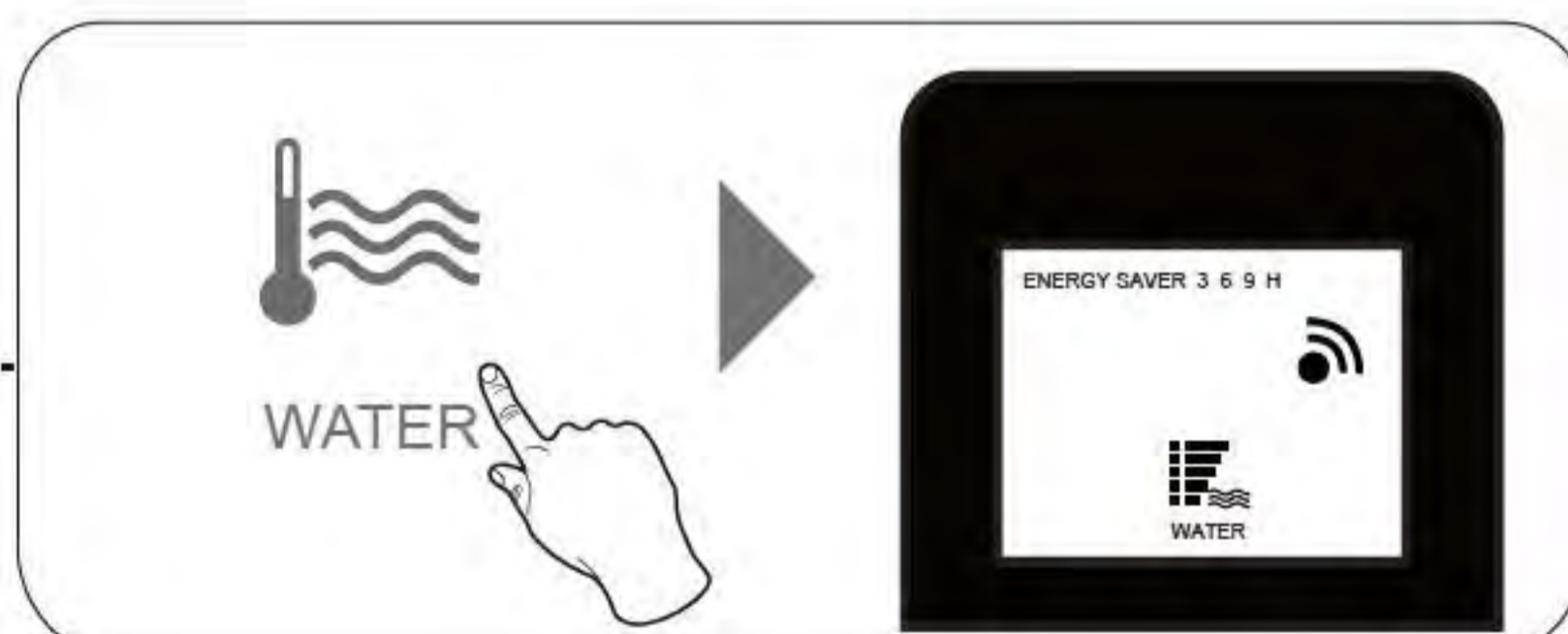
Temperature adjustment



Dry temperature adjustment:

Press "DRY" button to adjust temperature for drying.

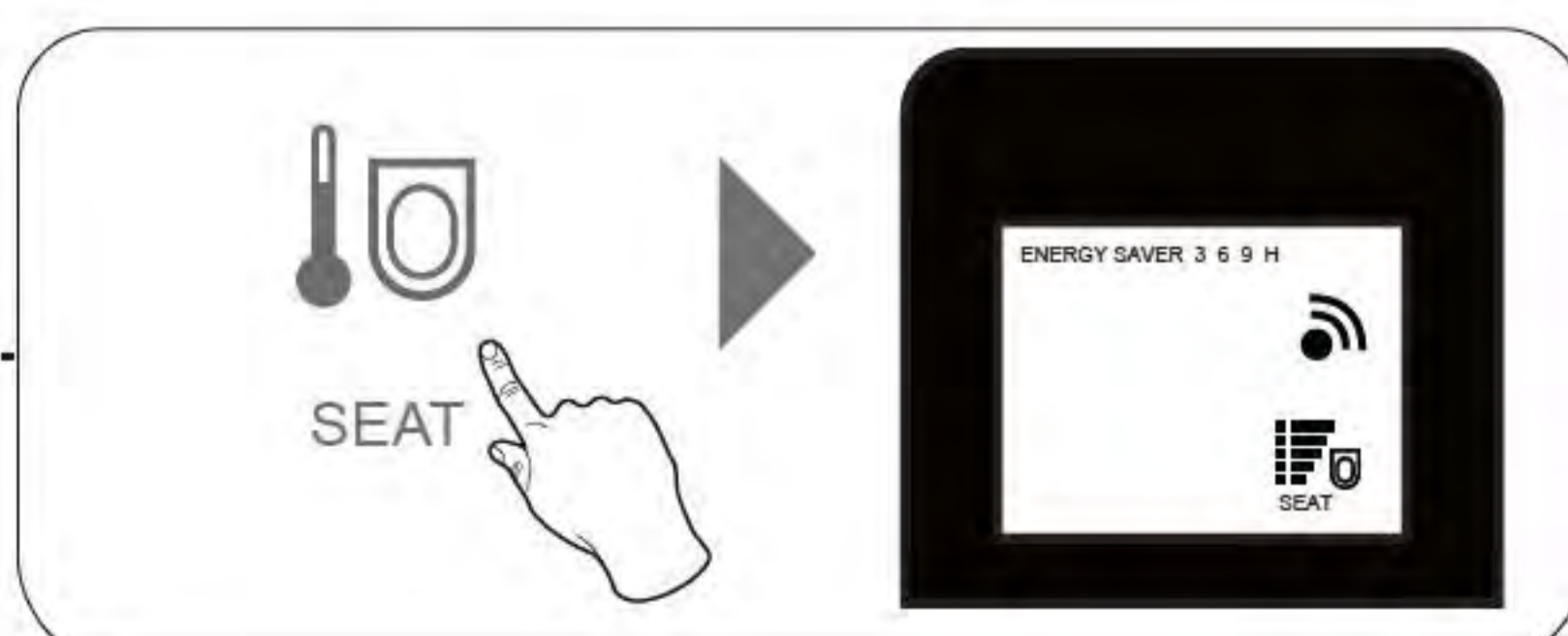
The LCD display of 1 to 5 lines means level 1 to 5. NO display means normal temperature. To adjust level by up and down cycle.



Water temperature adjustment:

Press "WATER" button to adjust temperature for rear and front cleaning.

The LCD display of 1 to 5 lines means level 1 to 5. NO display means normal temperature. To adjust level by up and down cycle.



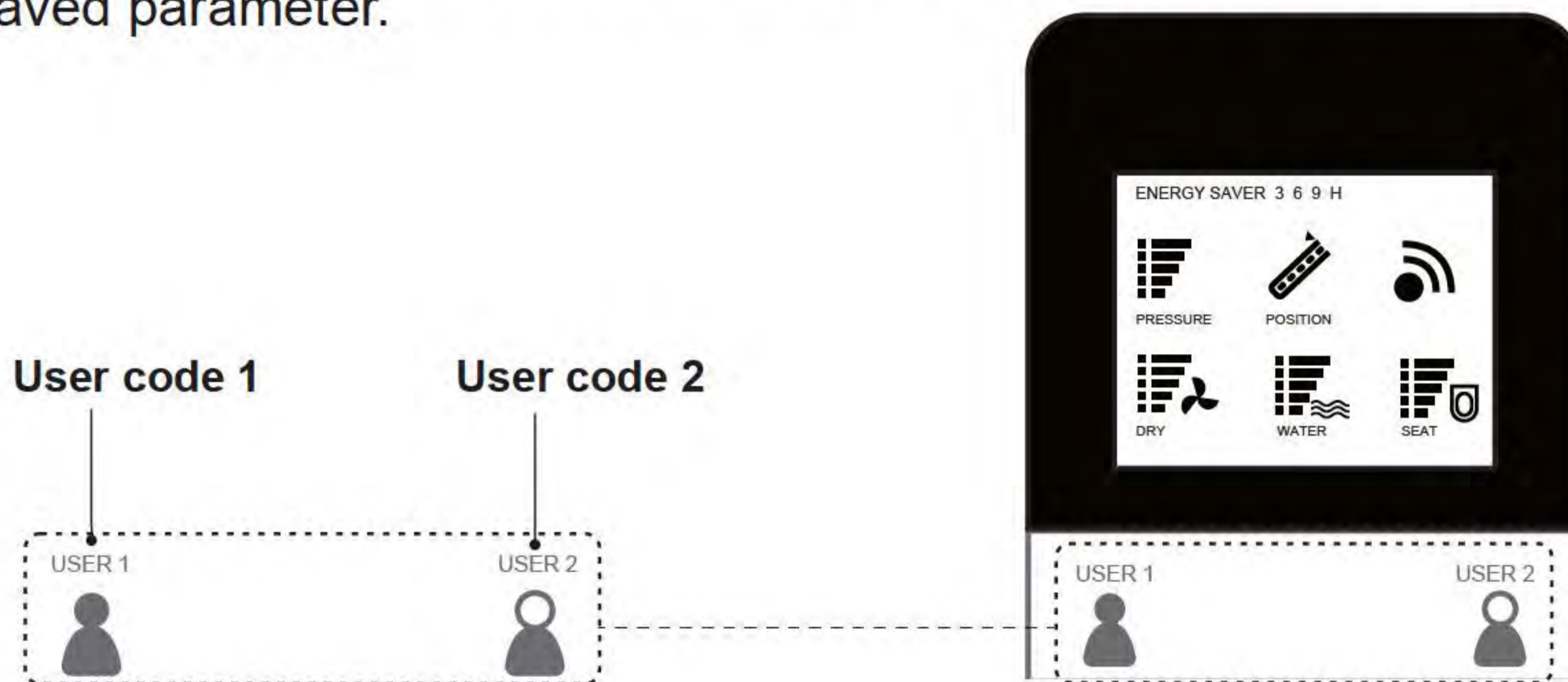
Seat temperature adjustment:

Press "SEAT" button to adjust temperature of seat. The LCD display of 1 to 5 lines means level 1 to 5. NO display means normal temperature. To adjust level by up and down cycle.

Usage Instruction


User code (Only for the toilet with User code function)

Long press “USER 1” or “USER 2” button to save the parameters, including current pressure, nozzle position, dry temperature, water temperature, seat temperature and massage status. Quick press “USER 1” or “USER 2” button to use saved parameter.



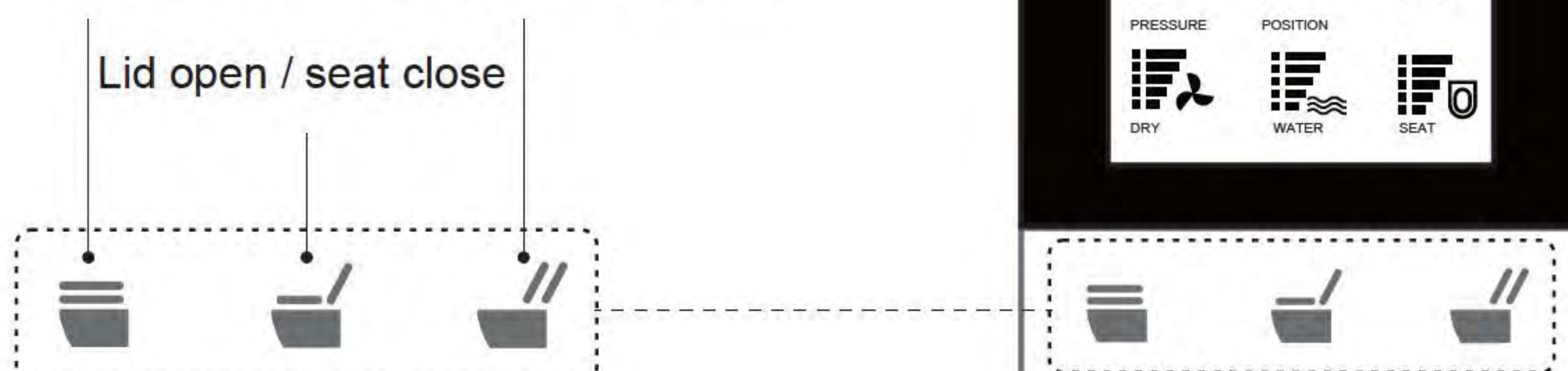
Auto lid open/close (Only for toilet with this function)

Press “” button to close seat cover.

Press “” button to open lid and close seat.

Press “” button to open lid and seat.

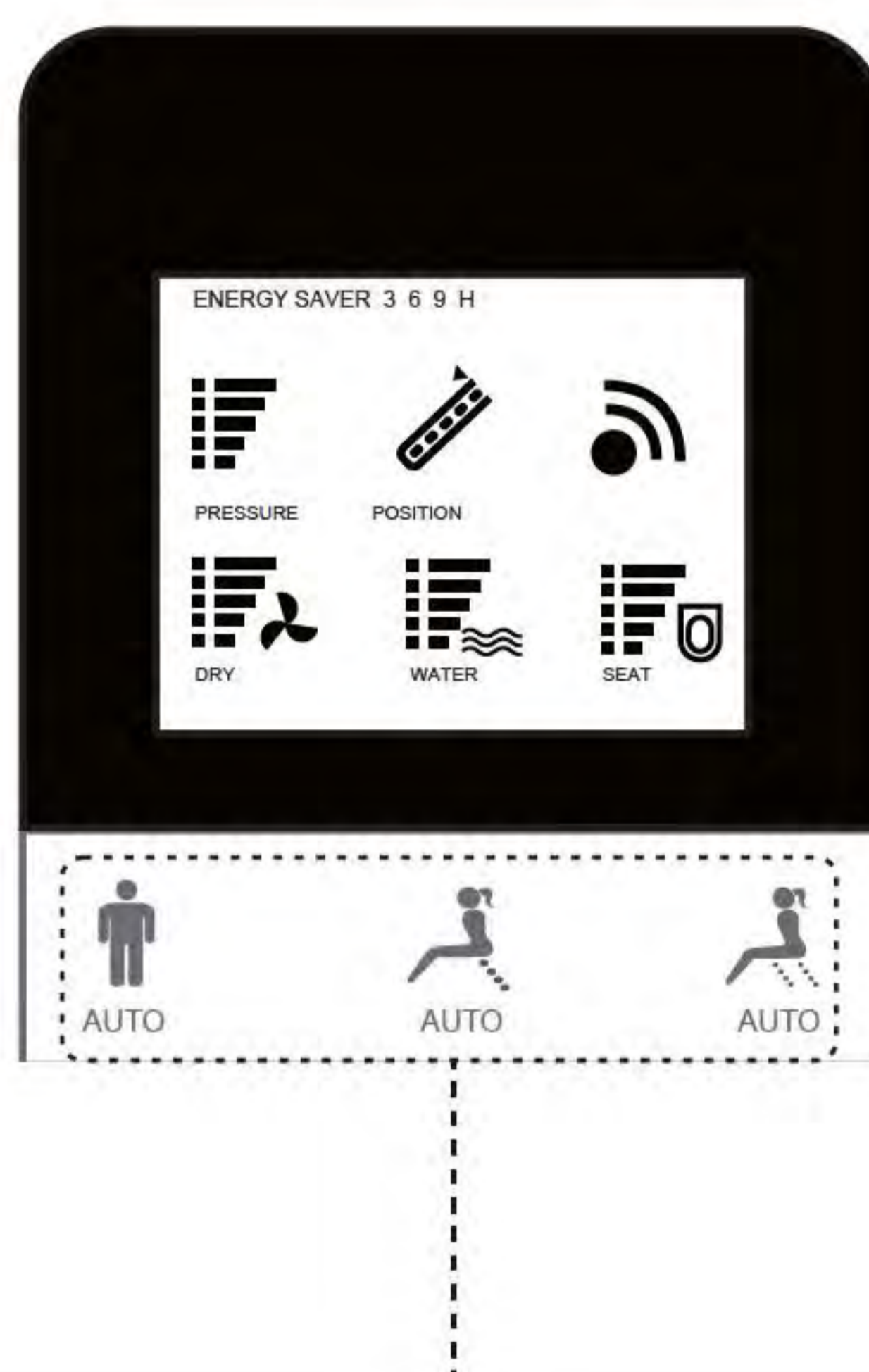
Lid close / seat close Lid open / seat open



Usage Instruction

Auto function (Only for the toilet with auto flush function)

Full-automatic function can be achieved by three “AUTO” buttons, convenient and practical. User can pre-set the suitable nozzle position, water pressure and temperature and save the setting. Full-automatic function will be activated by pressing the related function button when using afterwards.



Auto rear cleaning → Rear cleaning 90s → Dry 180s → Automatic stop



Auto front cleaning → Front cleaning 90s → Dry 180s → Automatic stop



Auto rear and front cleaning → Rear cleaning 90s → Front cleaning 90s → Dry 180s
→ Automatic stop

Usage Instruction

Combination button

Night light

Press "STOP" button, then "DRY" button, night light will be often in the off state; Repeat the process, night light will switch to intelligent state. Repeat above process constantly, the night light will switch between off state and intelligent state.

Quiet mode

Press "STOP" button and then "MASSAGE" button to turn off buzzer to avoid noise in the night; Repeat the process to start buzzer function.

User code

The user code needs to be set to avoid disturbance from remote controls when more than one toilets are used in the house. Turn on the toilet for setting while turn off others.

(1) Press "STOP" button and then "REAR" button to enter into user code setting.

The remote control shows only water pressure and spray position level, and characters are blinking on the screen.

(2) Press water pressure buttons of "+" and "-", to choose user code 1-9.


(3) Press "STOP" button and then "REAR" button again, remote control will save the setting and exit user code setting window, the buzzer will ring "click" to indicate successful setting.

The sum of water pressure and position level on LCD is the user code. Restart to clear the user code and re-set.

Automatic flush button

Press "STOP" button and then "FLUSH" button to start or close automatic flushing function. When the automatic flushing function is turned on, toilet will automatically flush after detecting user sitting for more than 6 seconds and leaving the seat for more than 3.5 seconds.

Auto open/close

Press "STOP" button, and then press " button, it is the mode of auto open/close. Repeat above action to stop this function. (This key combination is only for toilet seat with auto open/close function. The default setting of auto open/close is in the off state, so it needs to be turned on at the first-use.

Remark:

By pressing the button, the signal indicator will flash which means the signal is sent out; Then the buzzer rings "click", which means the main unit receives the signal and executes the instruction. If the signal indicator doesn't flash, that means the button is not efficiently pressed and needed to be re-pressed. If the buzzer does not ring, that means the main unit doesn't receive the signal. Please regulate the remote control direction and re-press the button.

In case of power cut during wand's spray operation, the wand cannot go back to place, please wait until the power is reset. In case of a power cut for a long period, please push the wand softly back by hand. Do not push hard, to avoid damage to wand and electrical machine.

The body should touch the seat and the buzzer rings "click", which means functions of front cleaning, rear cleaning and drying are in operation. The nozzle will continue to spray for 1-2 seconds after user stands up during spray operation, so please press "STOP" button before standing up.

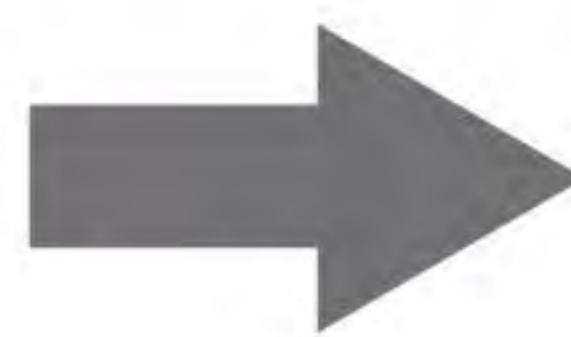
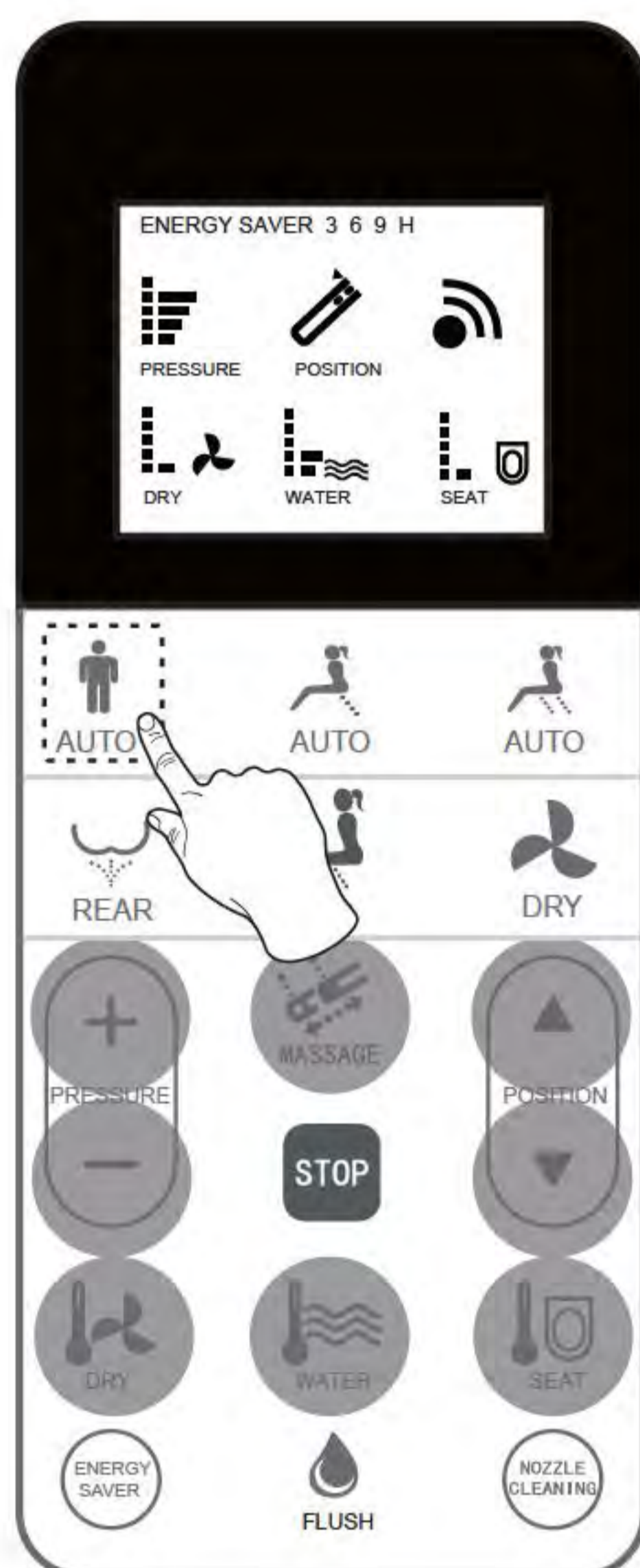
Use nozzle self-cleaning function after user leaves the seat. After cleaning, if user doesn't press "NOZZLE CLEANING" or "STOP" button, nozzle wand will go back after 10 minutes or user sits on the seat.

Set auto function

Set automatic Rear cleaning function


The default setting of automatic function is water pressure on level three, nozzle position on level three, water temperature, wind temperature and seat temperature on level three, the massage function is in the off state. User can re-set based on personal preference.

(1) Adjust water pressure, nozzle position, temperature by function button in below grey circle, and open/close massage function.



For example, the nozzle position is on level 2, and massage function is open; the water pressure is on level 4; water temperature is on level 2, while dry temperature and seat temperature are on level 1.

(2) After setting is completed, long press rear cleaning automatic button for 3 seconds to save the setting.


(3) After above steps, quick press “” afterwards when using, LCD displays the previous saved settings of rear cleaning level, temperature level and massage status. By this time, the toilet operates rear cleaning 90s, and then dry 180s automatically without pressing other buttons.

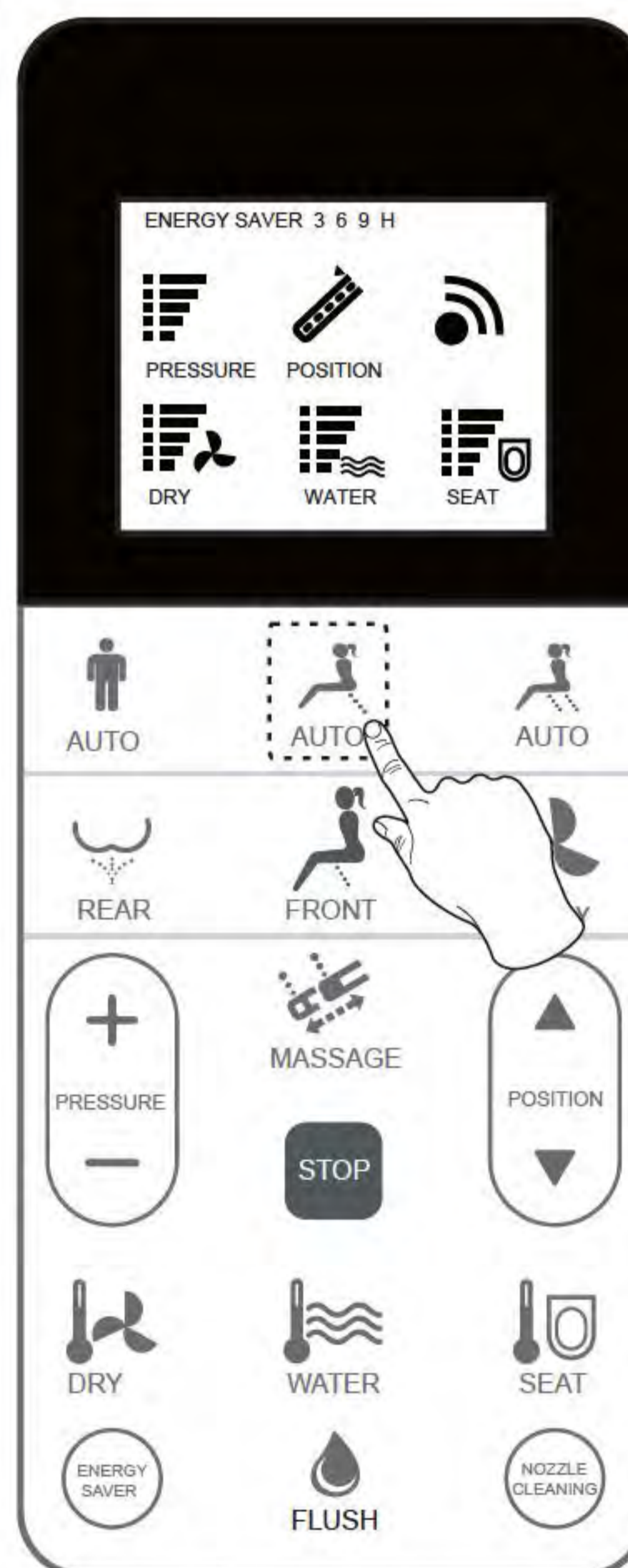
(4) During automatic rear cleaning, user still can change the level, temperature and massage status, and press “REAR” button 3 seconds to save the new settings.

Set auto function

Set automatic Front cleaning function

(1) Press spray nozzle position adjustment button to adjust nozzle to suitable position; Press “+”, “-” to adjust water pressure; set temperature level; open/close massage function.

(2) Press “” front cleaning automatic button for 3 seconds, see below picture, and save the setting.



(3) After above steps, quick press “” afterwards when using, LCD displays the previous saved settings of front cleaning level, temperature level and massage status. By this time, the toilet operates rear cleaning 90s, and then dry 180s automatically without pressing other buttons.

(4) During automatic front cleaning, user still can change the level, temperature and massage status, and press “FRONT” button 3 seconds to save the new settings.

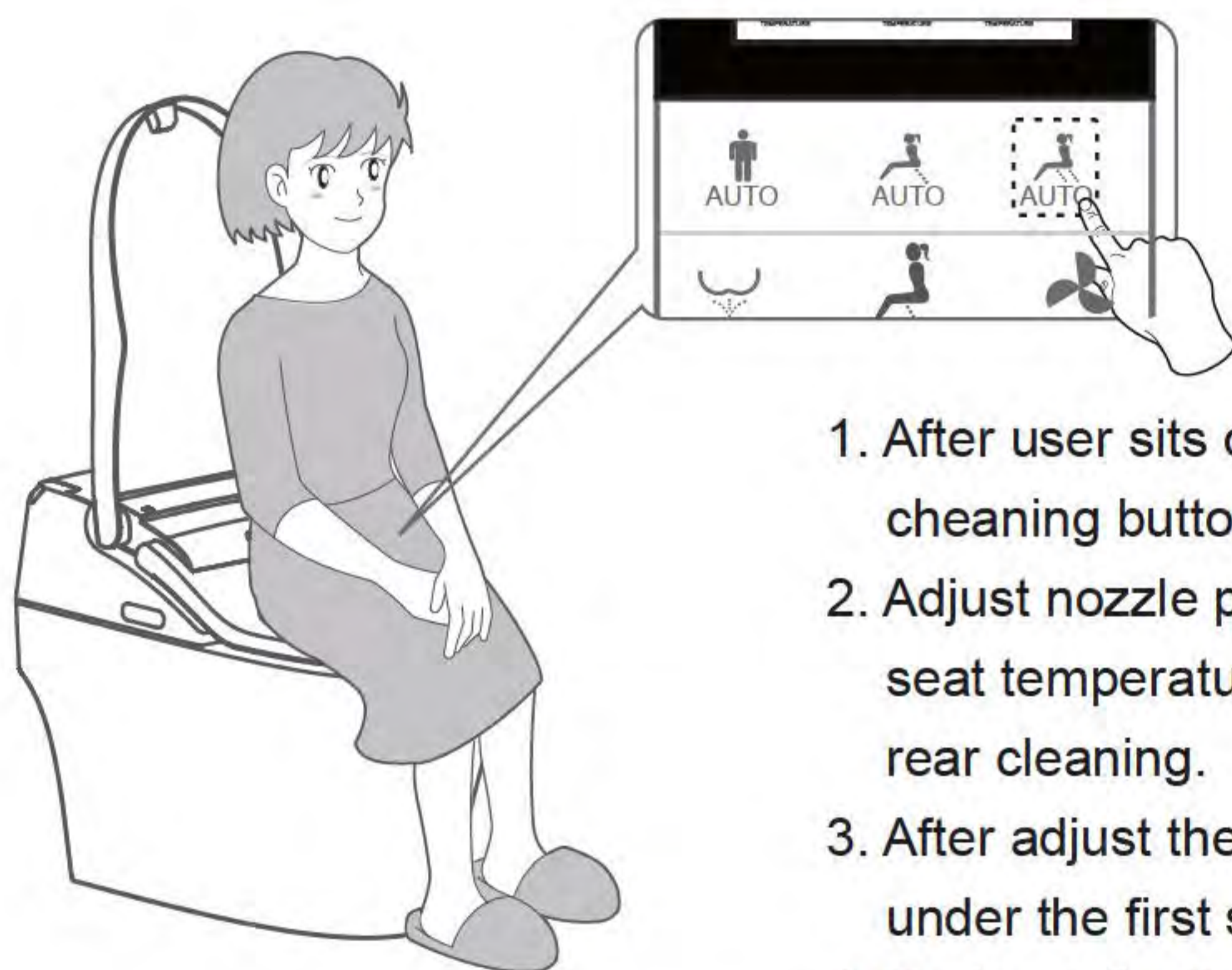
Set auto function

Set automatic Rear and Front cleaning combination function

Note: During using toilet, user can find the suitable level and temperature after comparing repeatedly. Please set the automatic Rear and Front cleaning combination function during using toilet.

The first stage: rear cleaning 90s

(1) Automatic Rear and Front cleaning combination function includes rear cleaning 90s, front cleaning 90s and drying 180s. User can adjust level and temperature in different stages.




1. After user sits on the toilet, press automatic Rear and Front cleaning button, it starts to rear cleaning about 90s.
2. Adjust nozzle position, water pressure, wind temperature, seat temperature and open/close massage function during rear cleaning.
3. After adjust the parameters, remote control saves the parameters under the first stage.
4. During adjusting, if user adjusts many times, the remote control saves the latest parameter.

The second stage: front cleaning about 90s

(2) After finishing rear cleaning, toilet enters front cleaning stage automatically. User can set nozzle position, water pressure, temperature and open/close massage function, and the remote control saves the latest parameter under the second stage.

The third stage: Drying about 180s

(3) After finishing front cleaning, toilet enters drying stage automatically. User can set wind temperature, and the remote control saves the latest parameter under the third stage.

(4) After set all parameters, quick press “” button afterwards when using, LCD displays the previous saved settings. By this time, the toilet operates rear cleaning, front cleaning and drying automatically by one-button operation. If user needs to change previous settings, please repeat step 1-3.